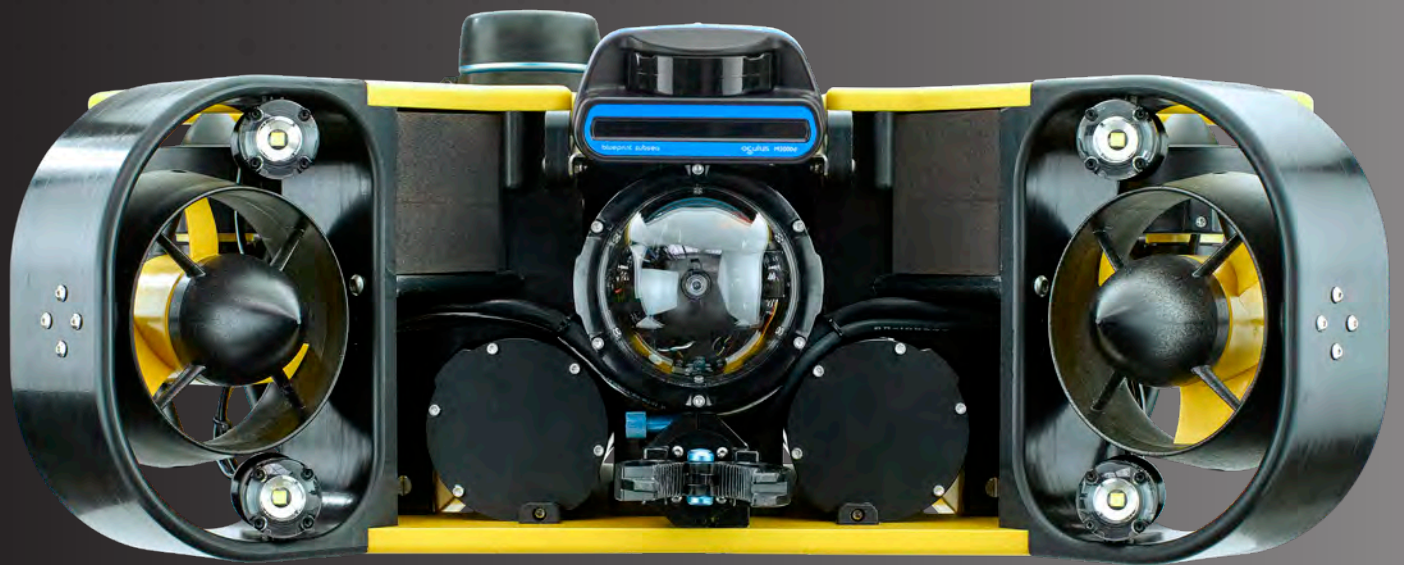
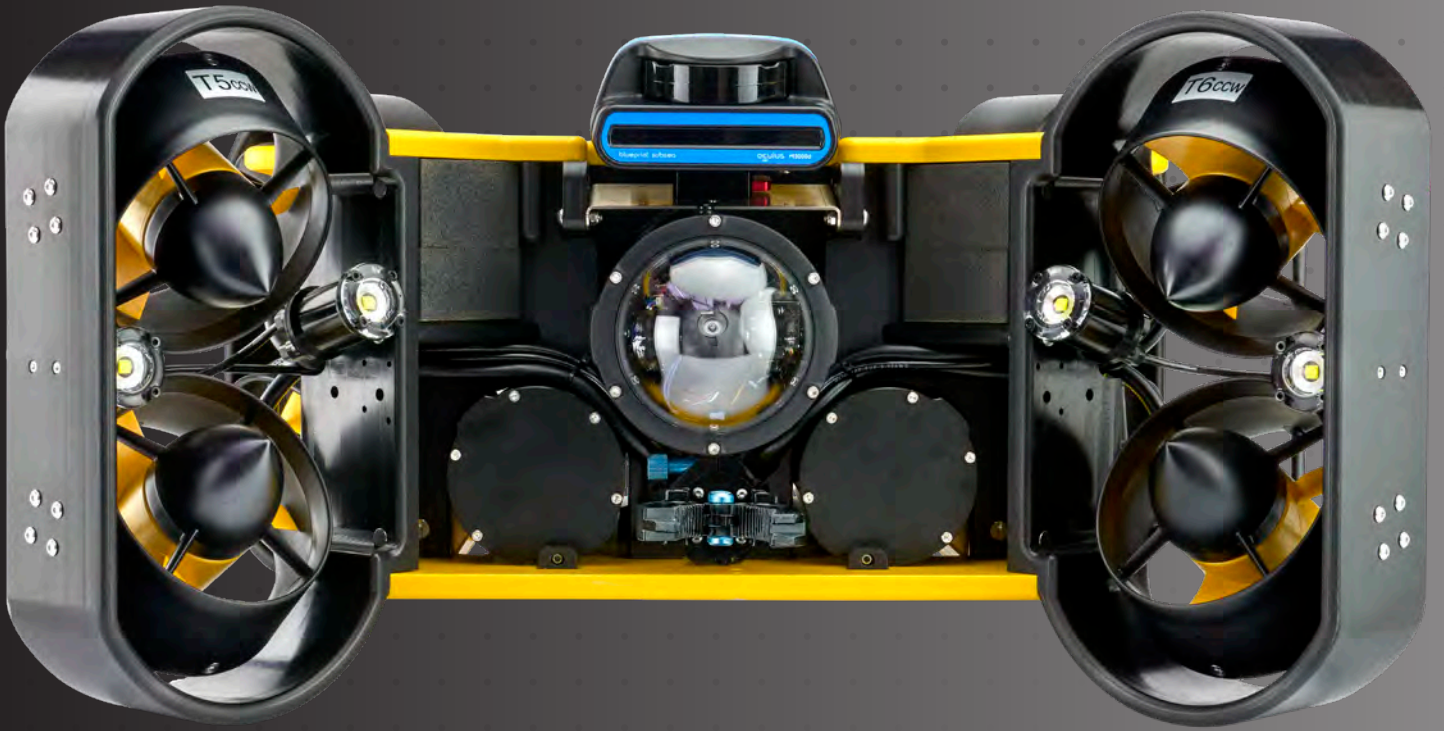


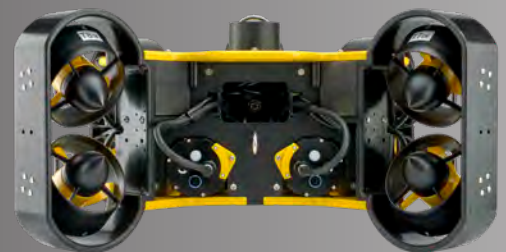
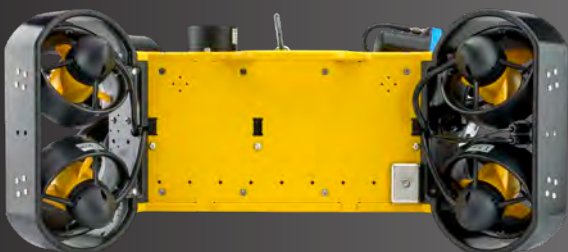
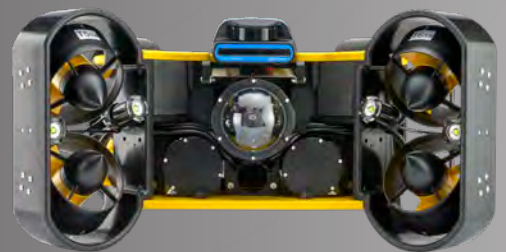
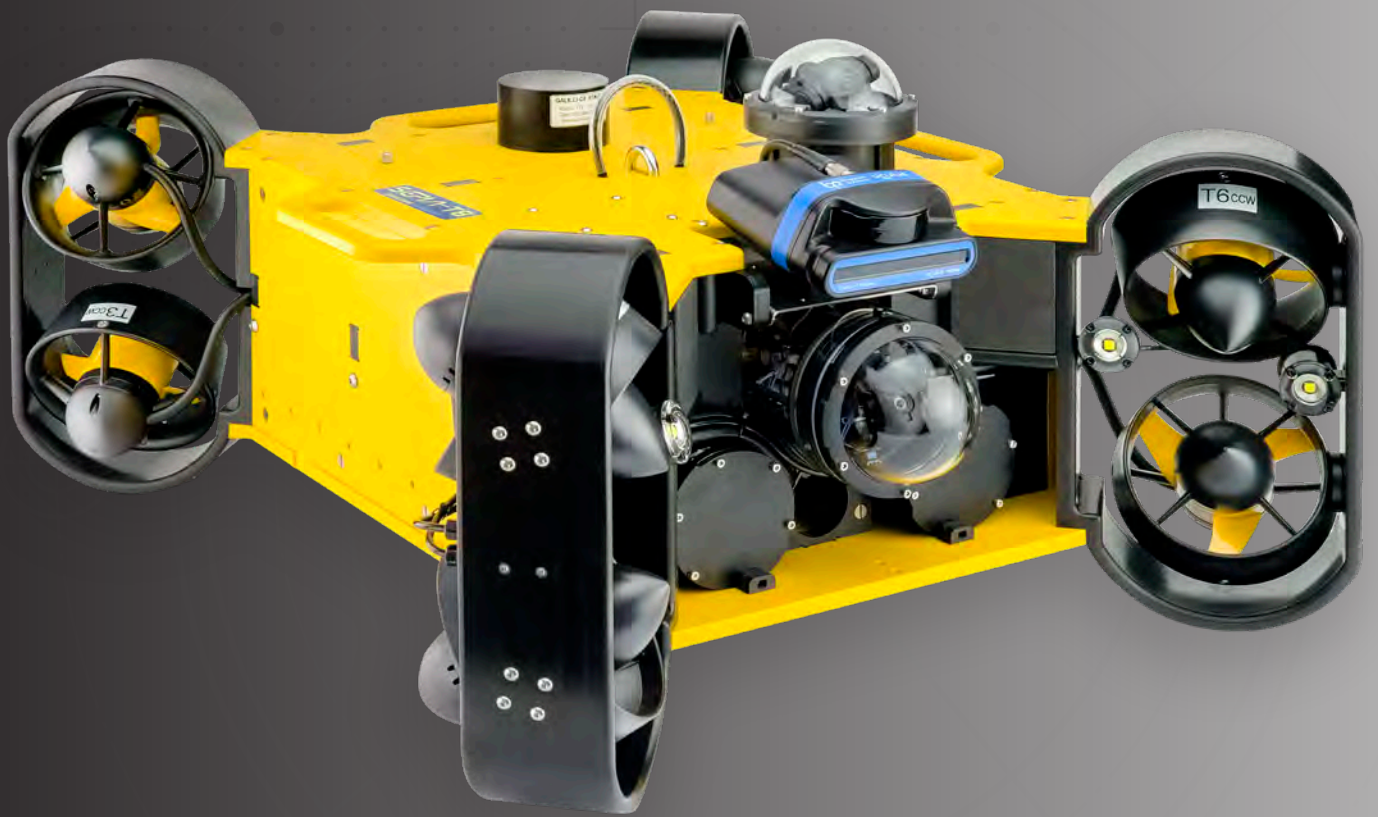
SEPIAROV



SEASCAPE
ROV SYSTEMS

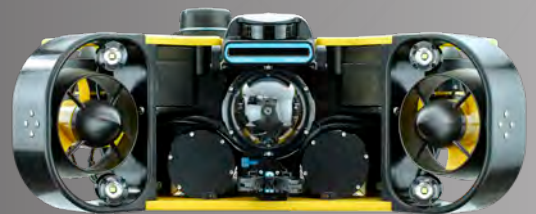
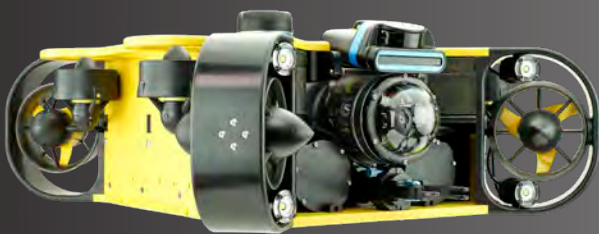
SEPIA-X8 ROV

OMNIDIRECTIONAL / EFFICIENT /
8X THRUSTERS / PORTABLE / RUGGED
SIMPLE / EXPANDABLE / POWERFUL



SEPIA-T8 ROV

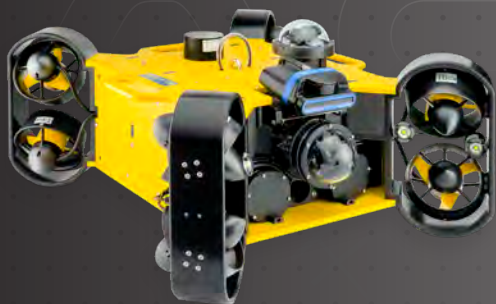
RUGGED / BIG PAYLOAD / PORTABLE
8X THRUSTERS / BATTERY POWERED
SIMPLE / EXPANDABLE / POWERFUL



SEPIA-X8

SEPIA-T8

VS



8x VECTOR 500 watts

POWER

4x Horizontal 500 watts
4x Vertical 350 watts

Horizontal 28 kg | Vertical 20 kg

THRUST

Horizontal 18 kg | Vertical 14 kg

Tilt option: Max. 89°

TILT

Tilt option: Max. 30°

1,0 kg in Freshwater

PAYLOAD

1.6 kg in Freshwater

39 kg

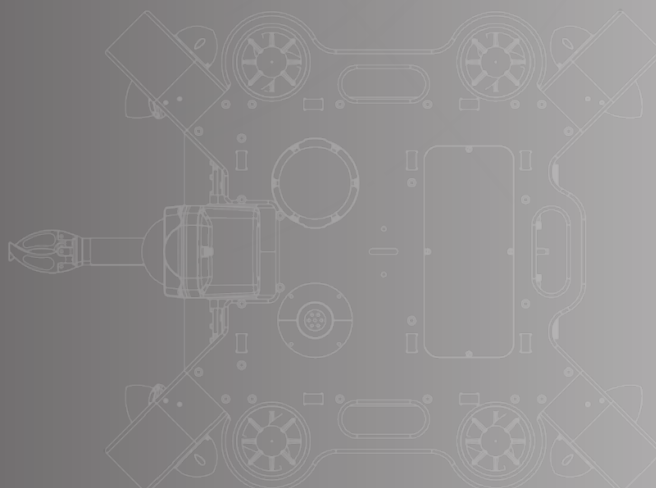
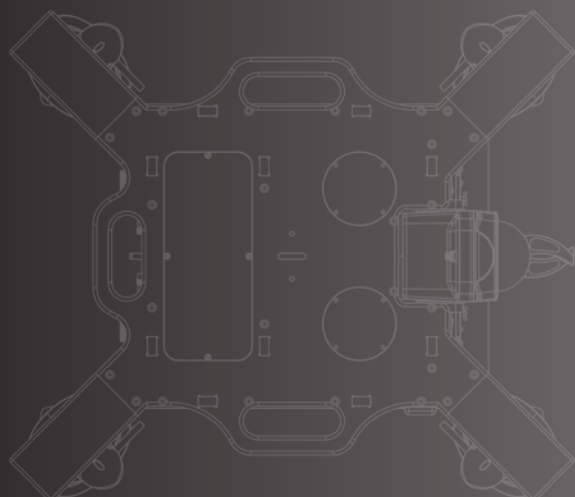
WEIGHT

32 kg

Power Consumption Efficient

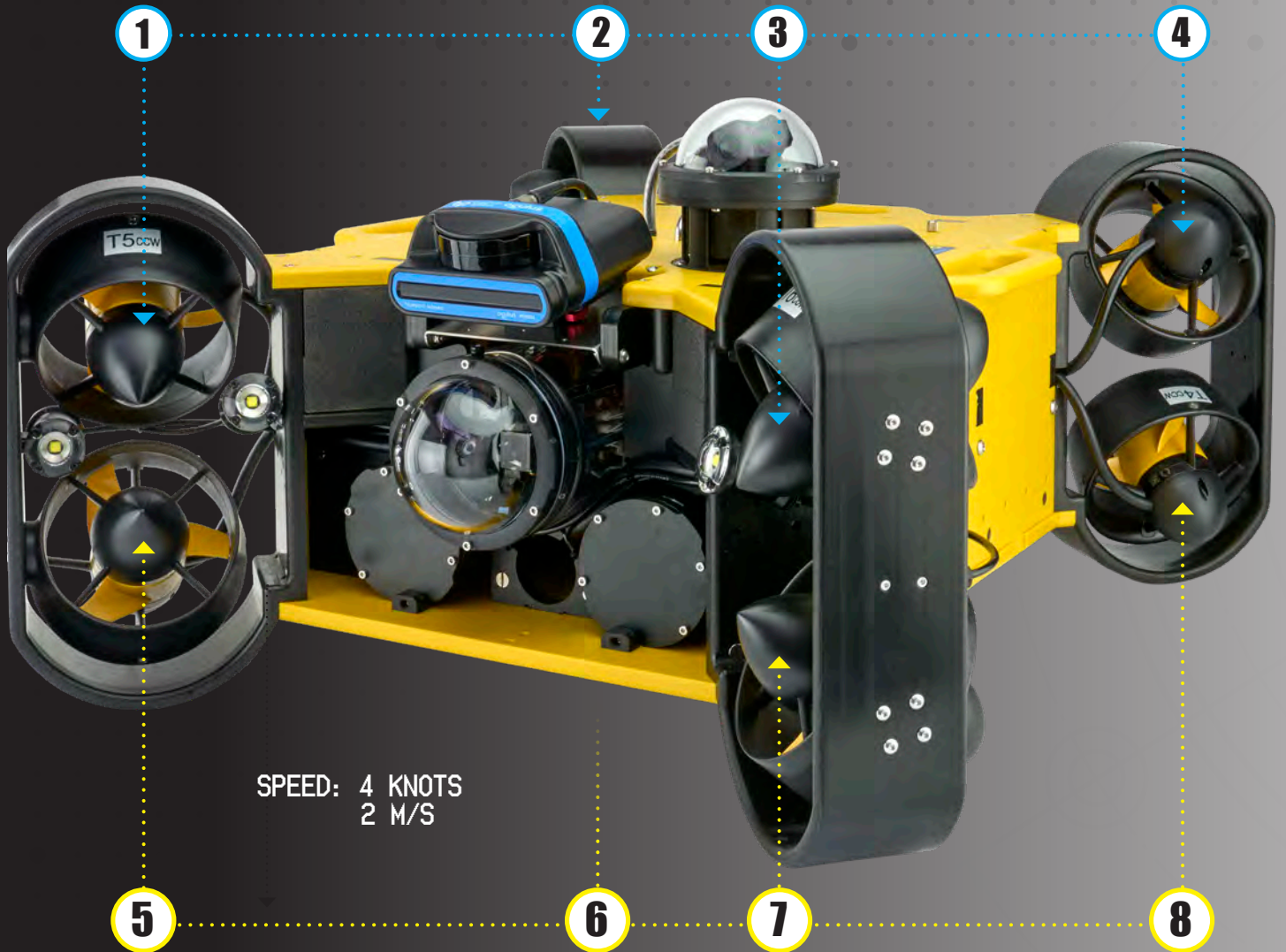
+

Low Profile



THRUST 28 Kg Horizontal

4x 45° DOWNWARD VECTOR Thrusters

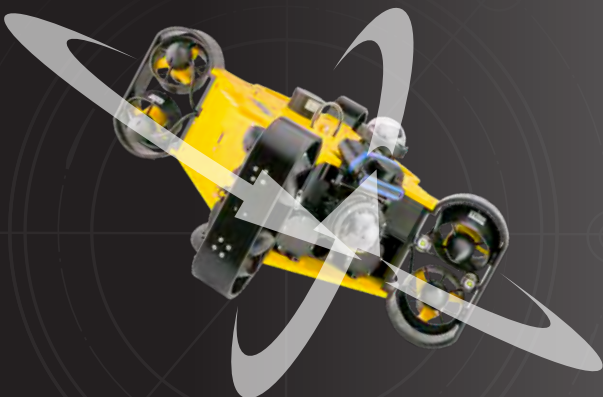


SPEED: 4 KNOTS
2 M/S

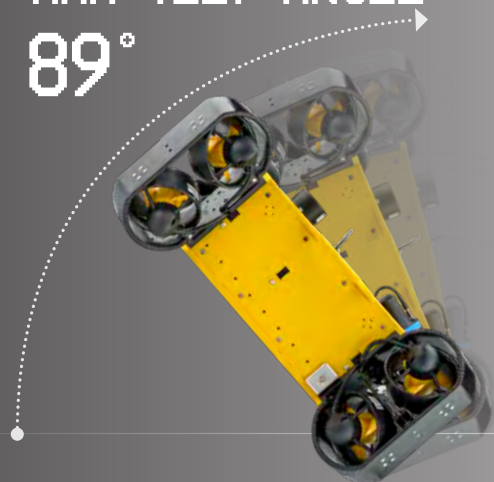
4x 45° UPWARD VECTOR Thrusters

Vertical THRUST 20Kg

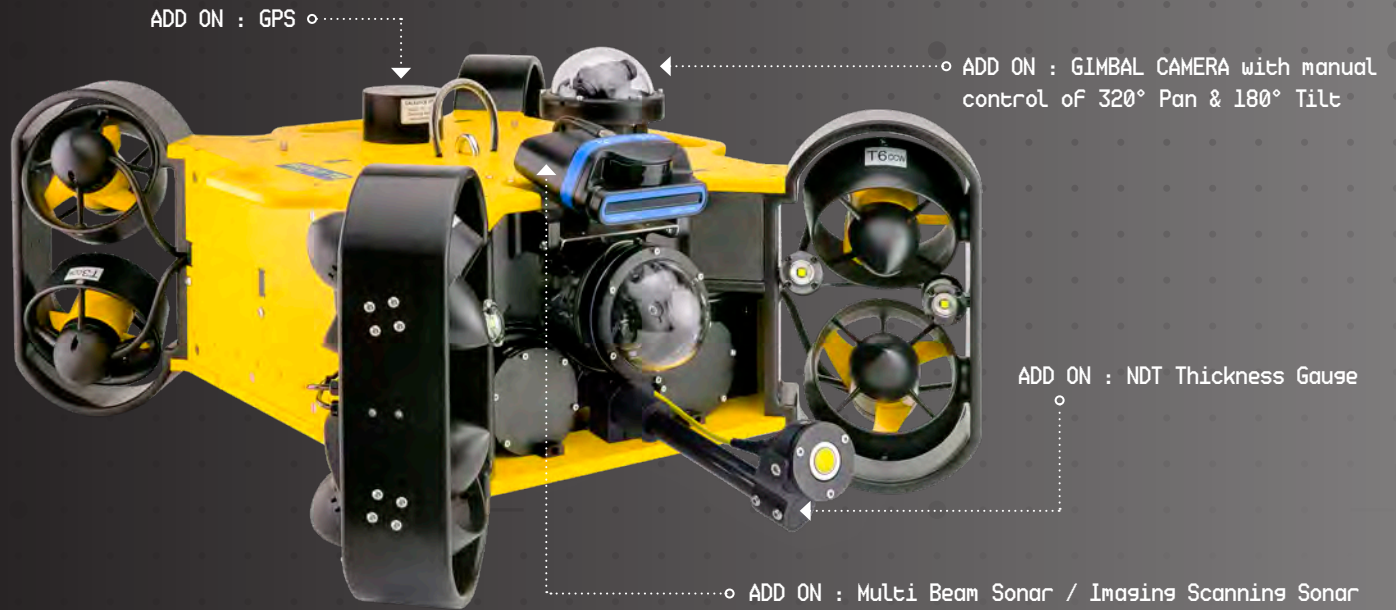
ACRO-MODE
OMNIDIRECTIONAL



MAX TILT ANGLE
89°

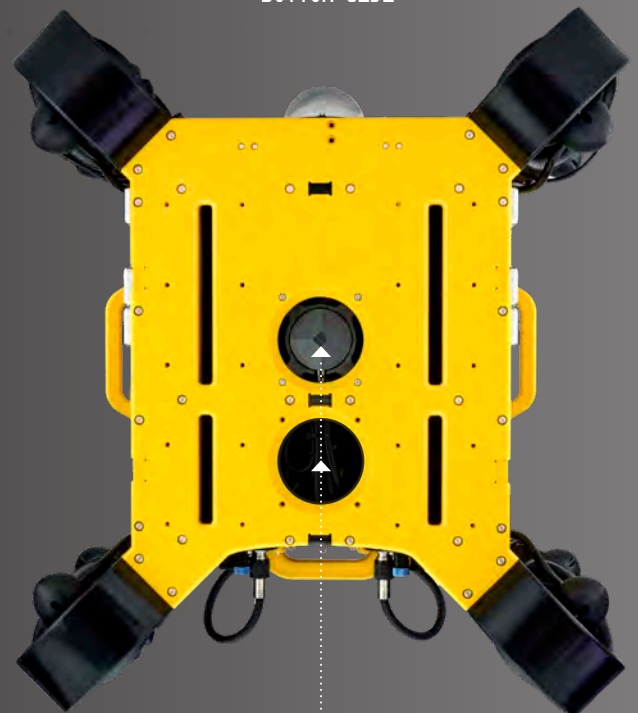
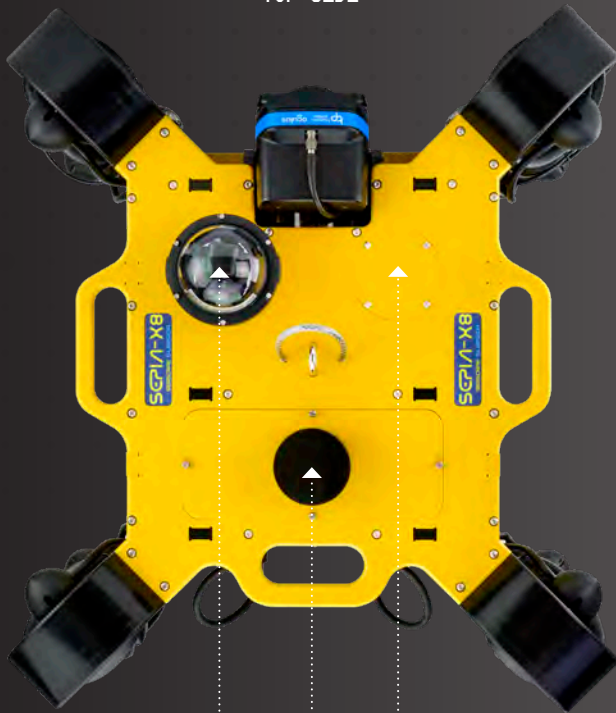


EXPANDABLE customize with ADD-ONS



TOP SIDE

BOTTOM SIDE



EXTRA BAYS FOR OPTIONAL ADD-ONS



GIMBAL CAMERA



GPS

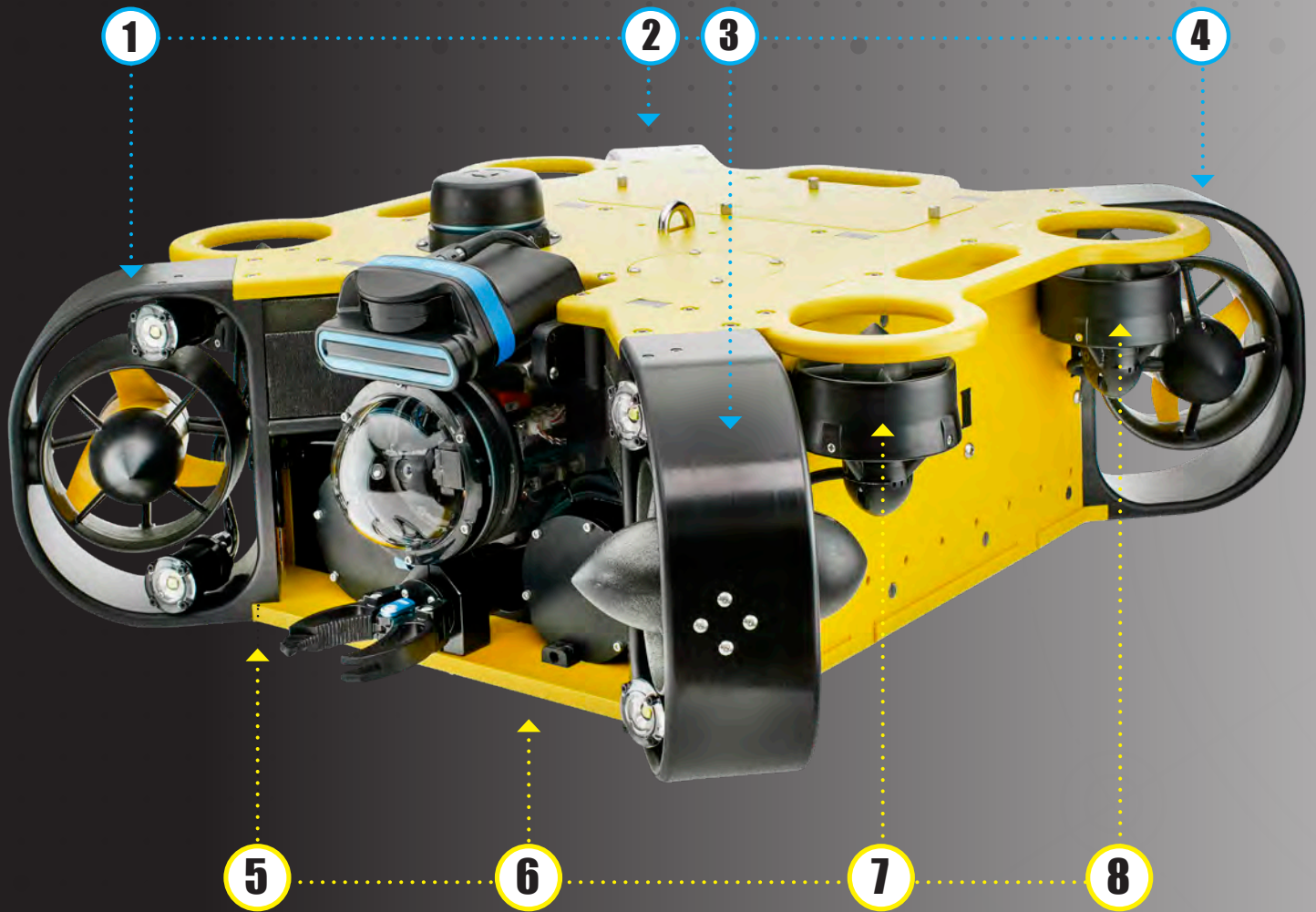


SCANNING SONAR

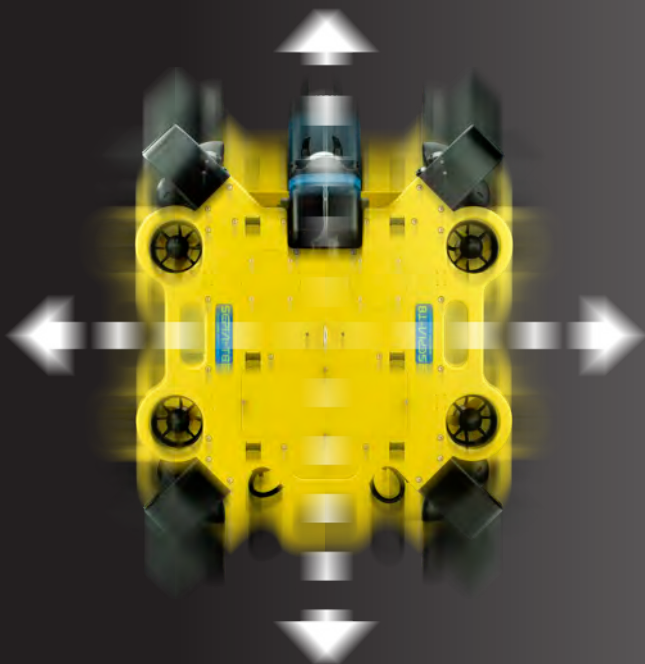


USBL

THRUST 18 Kg 4x HORIZONTAL VECTOR Thrusters



4x VERTICAL Thrusters THRUST 14 Kg



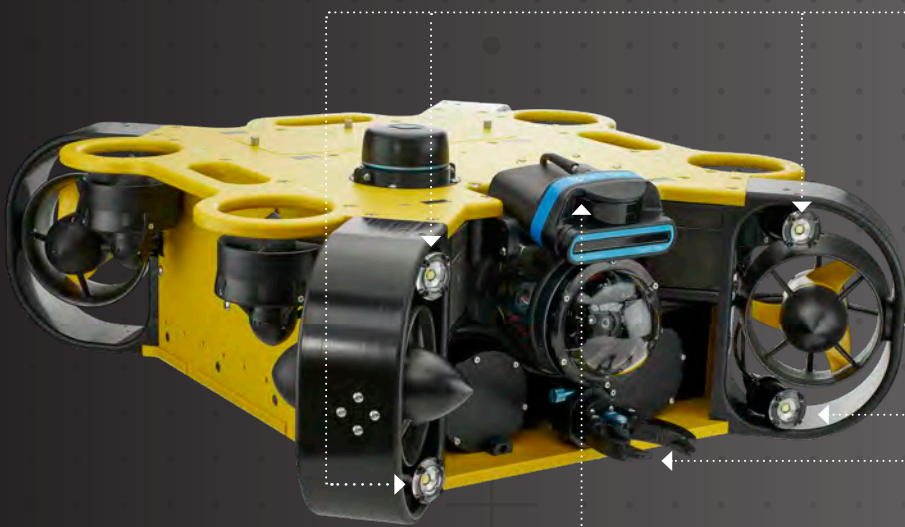
SPEED:

4 KNOTS

2 M/S

OMNIDIRECTIONAL

EXPANDABLE customize with ADD-ONS



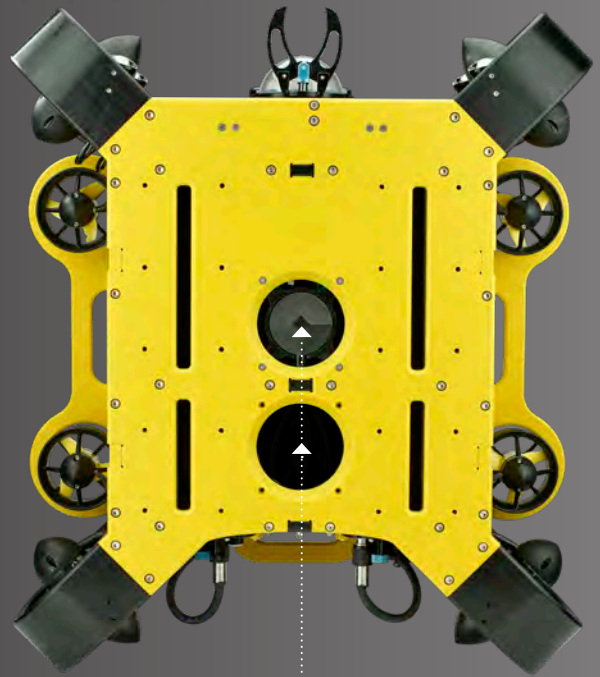
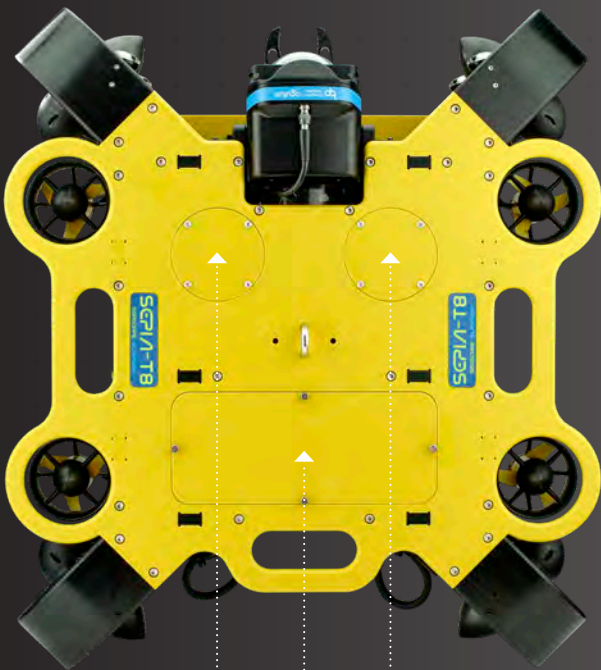
◦ STANDARD 4x LED Lights
1500 Lumen, 5700K, 135°
Included with the ROV.

ADD ON : Gripper 120N
15 Kg Lift Capacity

◦ ADD ON : Multi Beam Sonar / Imaging Scanning Sonar

TOP SIDE

BOTTOM SIDE



EXTRA BAYS FOR OPTIONAL ADD-ONS



GIMBAL CAMERA



GPS



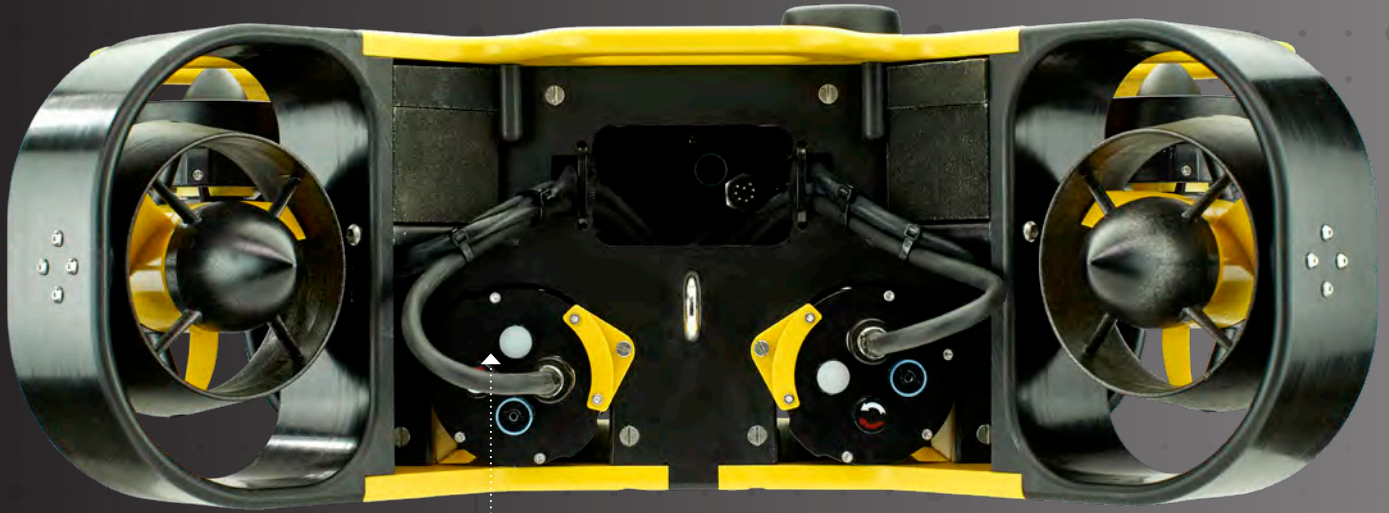
SCANNING SONAR



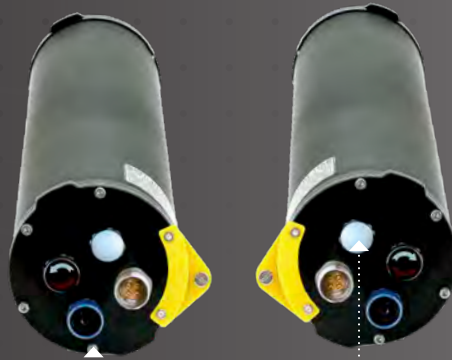
USBL

AUTONOMY

2 - 6 hours



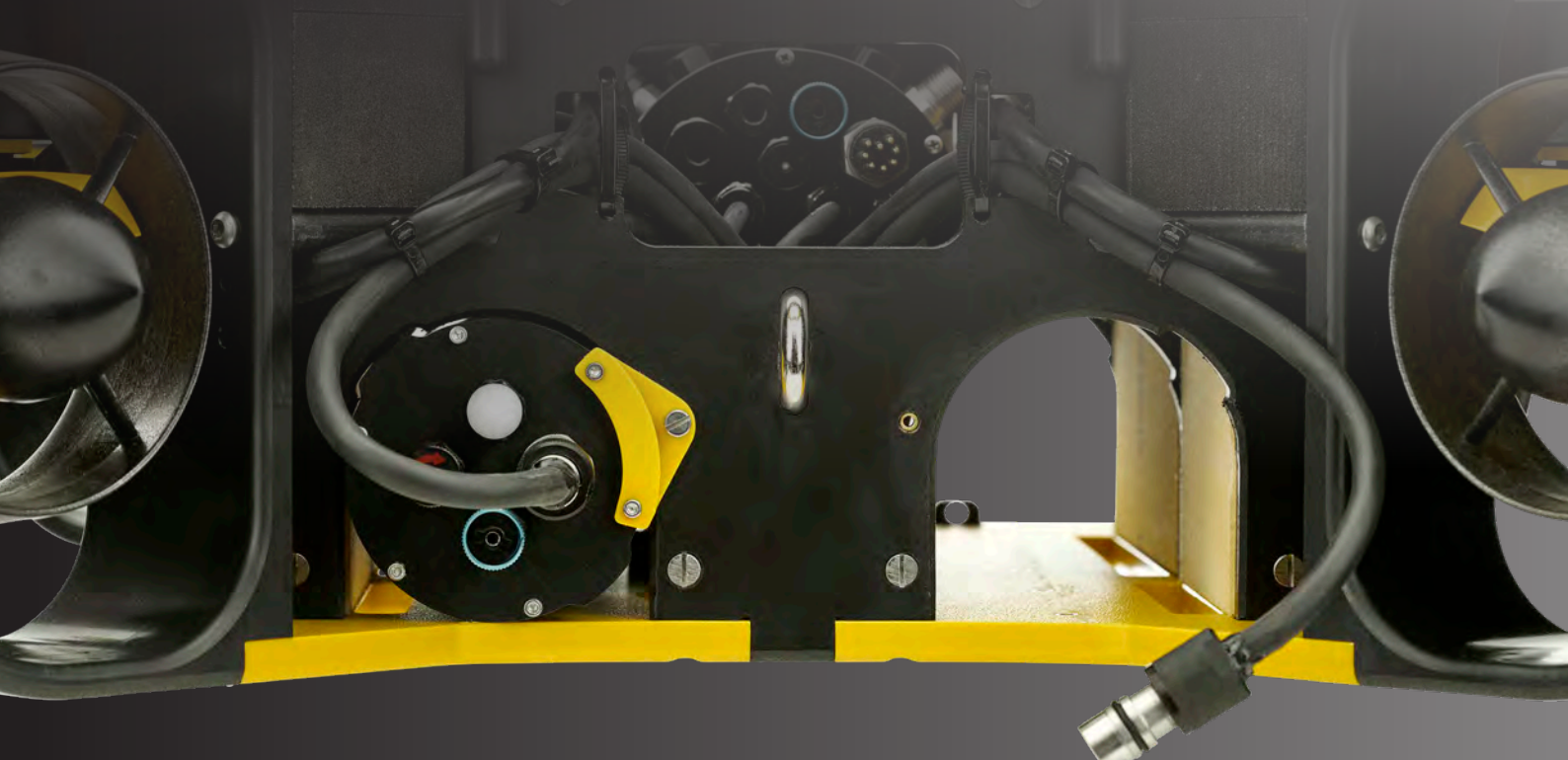
Easy & Quick Release + secure installation of battery



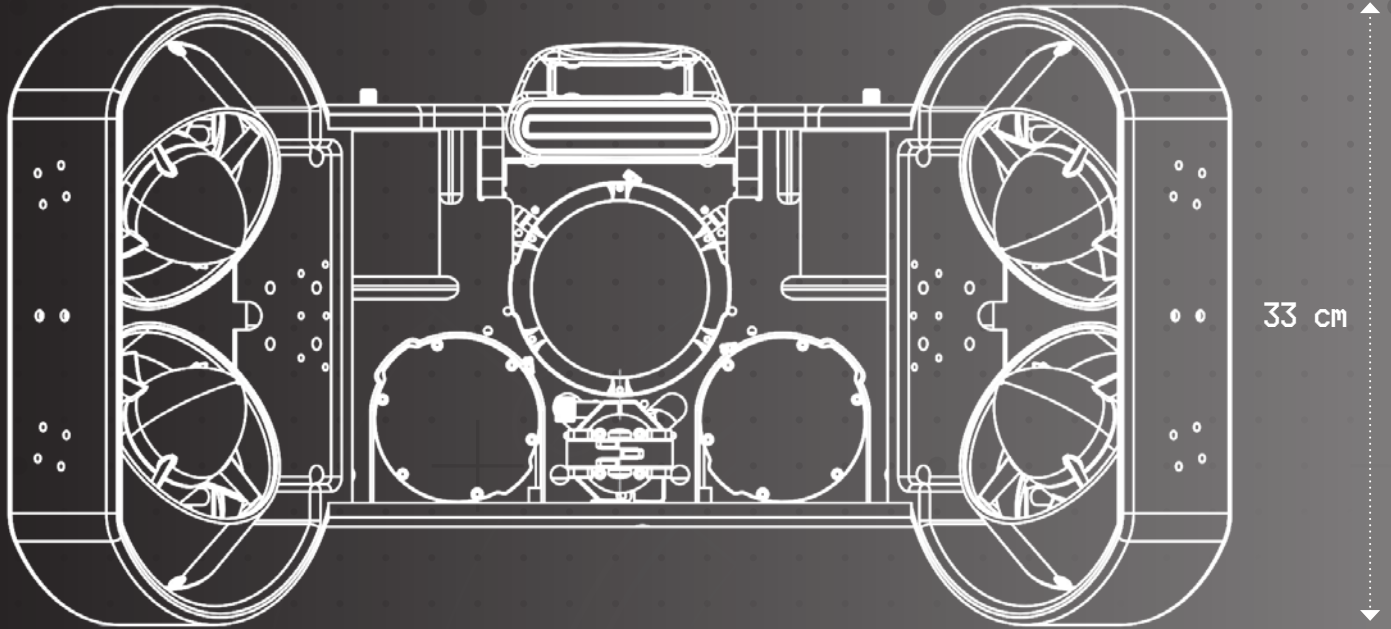
2x

605 Wh Li-ion_Battery R0V

2x POWERFULL 'HOT SWAPPABLE' Battery Packs | Powerswitch ON/OFF



height : 33 cm

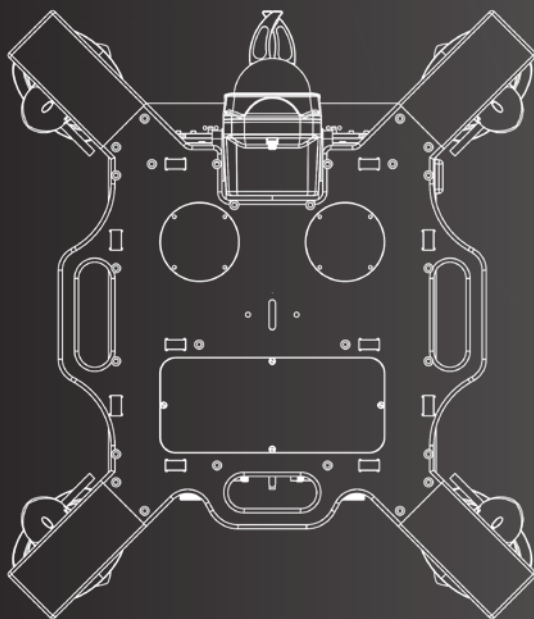


width : 65 cm

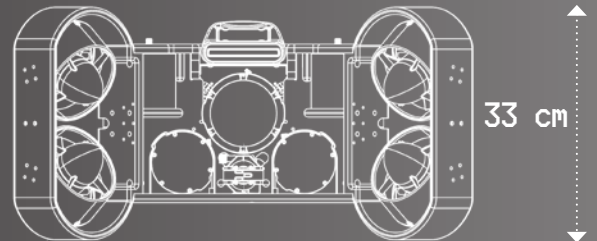
width : 65 cm



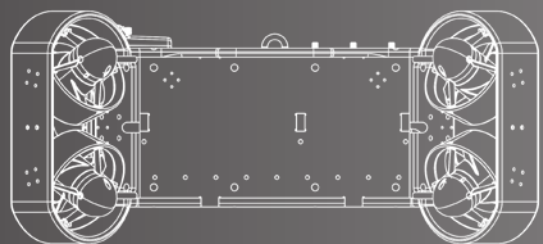
WEIGHT:
36 Kg



length : 75 cm

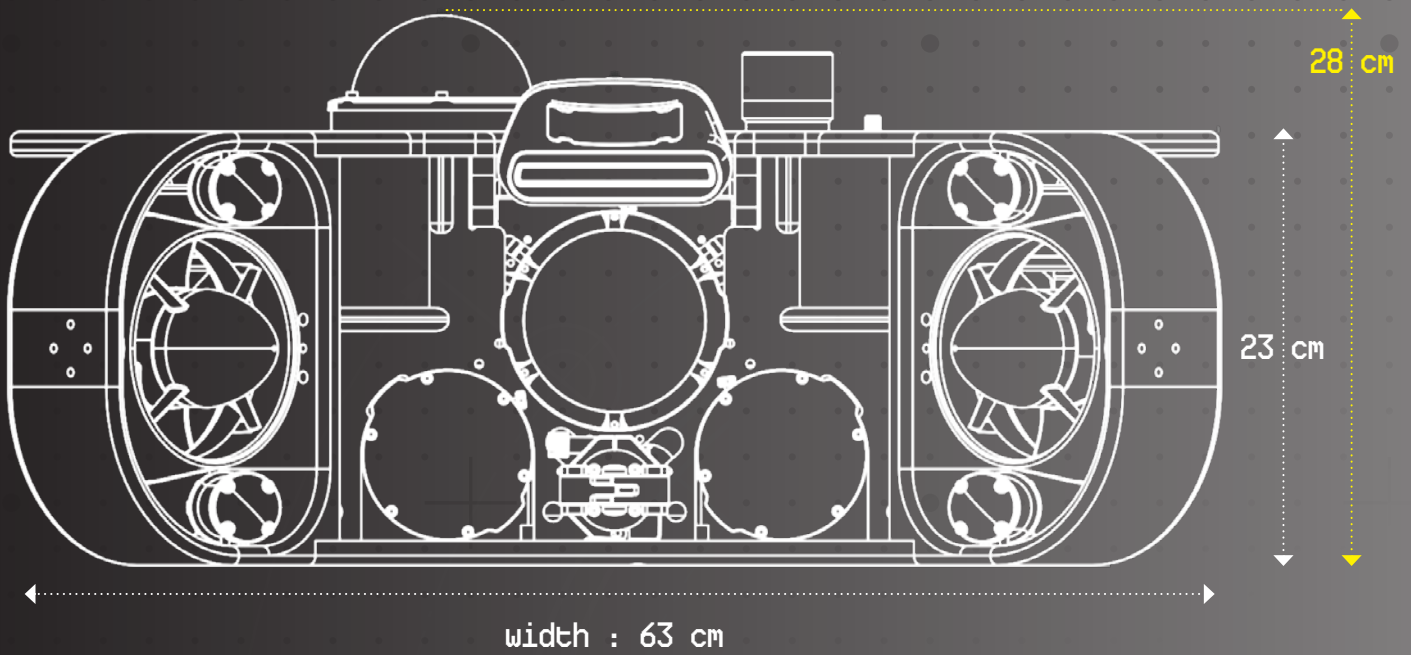


33 cm

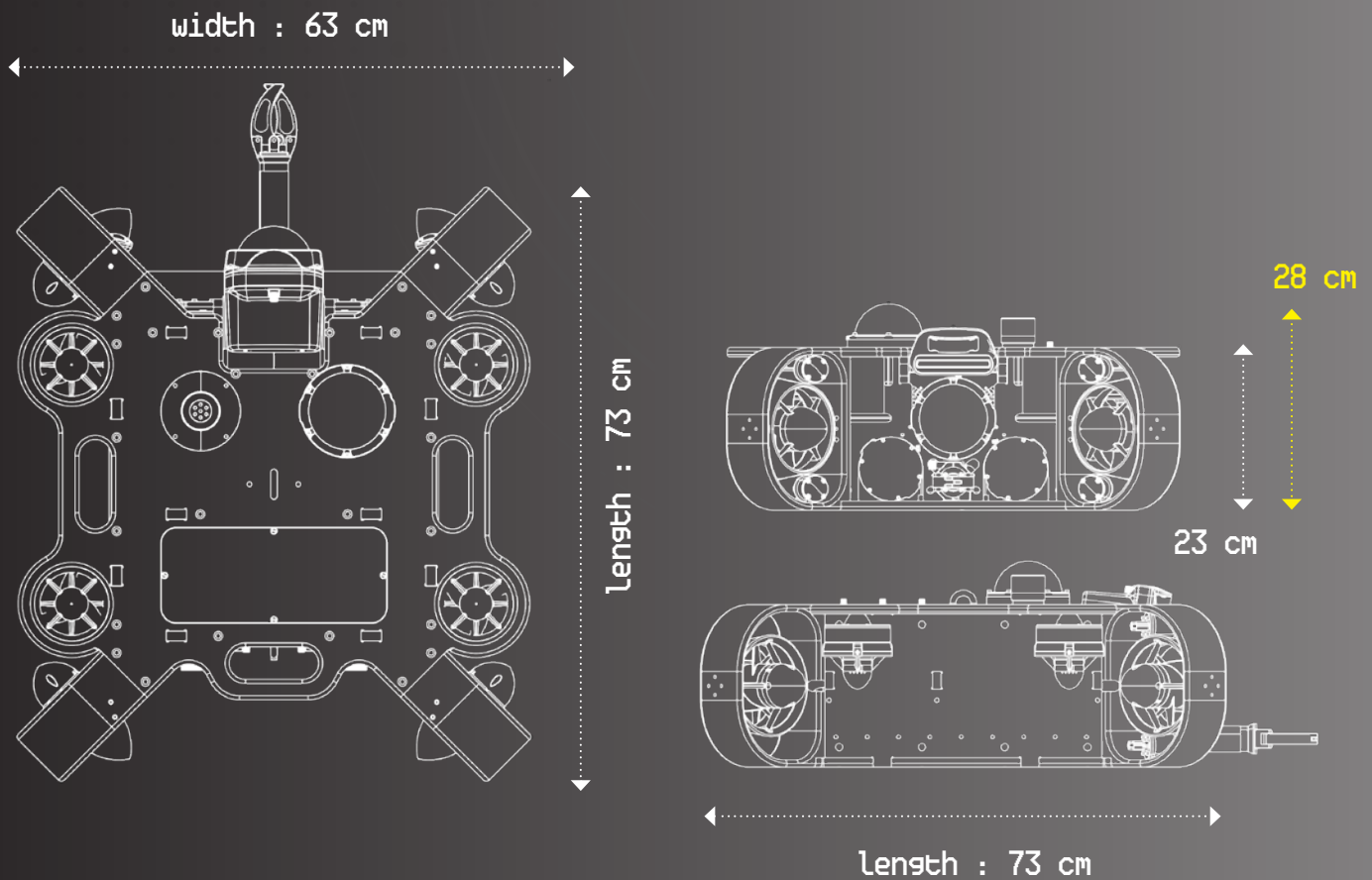


length : 75 cm

height : 23 cm / 28 cm with Sonar



WEIGHT:
32 Kg





Power

Thrusters:	8x Horizontal 500 watts	4x Horizontal 500 watts, 4x Vertical 350 watts
Battery:		2x 605 Wh Li-ion with BMS
Thrust:	Horizontal 28 kg, Vertical 20 kg	Horizontal 18 kg, Vertical 14 kg
Max Speed:		4 knots (2 m/s)

Image

Camera:	Full HD (1080x1920) 110° horizontal field of view with tilt function, full 180° vertical field of view by tilting	
Sonar Options:	Multibeam FLS: Oculus, Sonoptix Scanning: PING360, ISS360, Omniscan	
Extra Add-Ons:	2nd camera, 1080P USB or Gimbal camera	

Lighting

Standard:	4x 1500 lumen, 5700K, 135° lighting angle
Optional:	4x 1500 lumen, 5700K, 135° lighting angle

Sensors

Depth, compass, angle sensors, internal water alarm, in-and external temperature, power and battery condition

Optional: DVL, GPS, USBL

Control

Manual:	Horizontal and vertical movement with tilt option via hand controller	
Max. Tilt	Max. 30°	Max. 89°
Automatic (standard):	Automatic depth and course control with horizontal stability maintenance	
With DVL:	Stay on position and automatically navigate route or search area, relative position tracking on map	
With DVL + GPS:	Absolute position (georeferenced) tracking on map	

Display / Control Interface

Optional: 14" Rugged tablet, 1000 nits, Windows 11pro with Cockpit application
PC / Laptop equivalent to a minimal Intel i5 gen8, 16 Gb.

Hand controller

Optional: Rugged SSROV-HC hand controller
wireless XBOX compatibele hand controller

Tether

Diameter:	Standard: Ø 7.6 mm (8 core) Optional: Ø 4.0 mm (2 core)
Length:	10 to 300 meters on reel with slip rings
Weight:	Ø 7.6 mm 43 kg/km, Ø 4.0 mm 12 kg/km, neutral in fresh water, slightly positive buoyant in salt water
Working strength:	35 kg working strength, 55 kg breaking strength
Breaking strength:	8-pin rubber underwater plug MCIL8F with stainless steel carabiner hook for strain relief
Connector and connection:	

Connections

Network:	3x network ports for DVL,sonar etc, of which one with extra RS232TTL, COB-1180-R1 connector 1x USB for cameras or sonar, COB-1160-SS connector
USB:	1x Power with 2x PWM channels for Gripper or other servo control, COB-1140-SS connector
Power&PWM:	1x RS485
RS485 (optional)	2x RS232 (or TTL)
RS485 (optional)	

Dimensions

Length x Width x Height:	752x652x330 mm	730x630x230 mm
Weight:	32 kg	36 kg
Payload capacity:	1.6 kg	1 kg

Material:

HDPE, anodized aluminum, stainless steel, polycarbonate

Operating depth:

100 meters (optional 300 meters)

Transport

Optional: Flight cases with wheels ROV: 85x72x45 cm Reel: 86x56x46 cm
Trolley carrying ROV, Reel, 14" Tablet and controls

ROV SET-UP

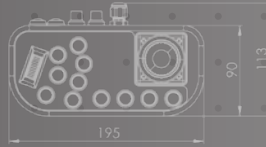
TOPSIDE



Tablet or PC / Laptop



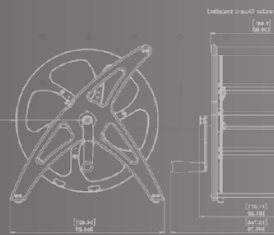
Hand Controller



Fathom-X-Tether-Interface-FXTI

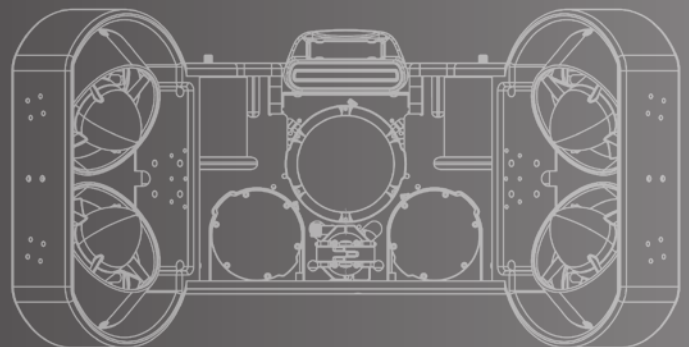
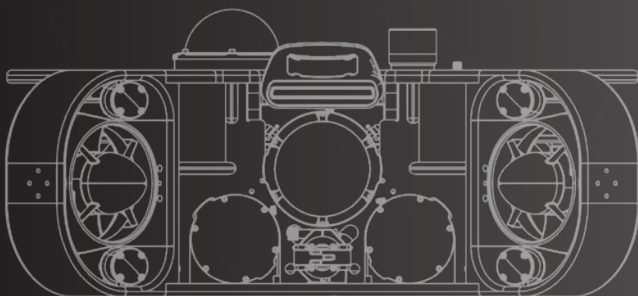


TETHER cable



ROV SET-UP

UNDERWATER



1000 Nit Touch Screen - Glove compatible

IP65 WATERPROOF



Windows 11 PRO PC Tablet

Handle (removable)

PORTS

USB 2

USB 2

COM

RJ45

POWER DC JACK



25 cm

Built-In + Hot Swappable Battery



36 cm

WEIGHT
2.3 kg



- HDMI
- USB 3.2
- Audio Port
- Type C | Thunderbolt 4
- RJ45



SS-ROV Hand Controller

COCKPIT APP Mission Control

IP65 Compliant & Robust

SEASCAPE ROV SYSTEMS

Integrated PC



o rugged case

o 18.5" Touch Screen
1000 Nit

- Thether Connection
- RJ45
- LAN
- 2x USB 3.0
- 2x USB 2
- Power

o wireless keyboard
with mousepad

built-in UPS

2x built-in Speakers

WEIGHT 18.4 kg



ALL-IN-ONE Solution For field use



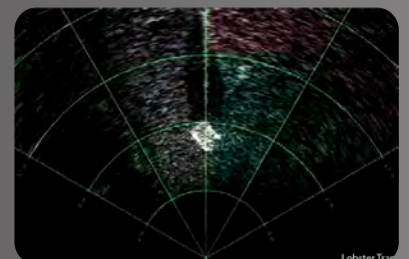


Customizable User Interface



Switchable Window Views

- Widget-based layout system
- Custom display
- Generic input display widgets
- External widgets detection
- WebRTC-based video widget
- DIY widget
- Map widget
- Multi-device view support
- Mission planning & Control etc.



Switchable Window Views

Sonar view overlay

SEPIA ROV CONTROLLER

HAND CONTROLLER

IP65 Compliant & Robust

SEASCAPE
ROV SYSTEMS



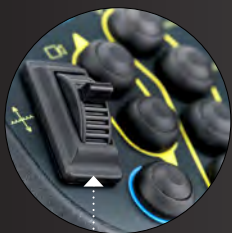
- ONE JOYSTICK ○
- Forward - backward
 - Left - right
 - rotate
 - 2-function buttons



USB Cable (Length 150 cm)

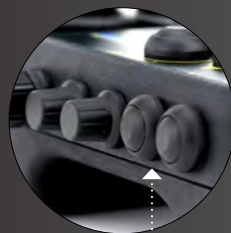


- FUNCTION BUTTONS:
- Hold
 - Toggle
 - Roll
 - Pitch
 - Manual
 - Stabilize
 - Depth
 - Position
 - Arm - Disarm
 - Shift



THUMBWHEEL

- up- down
- spring released



CUSTOM ASSIGN

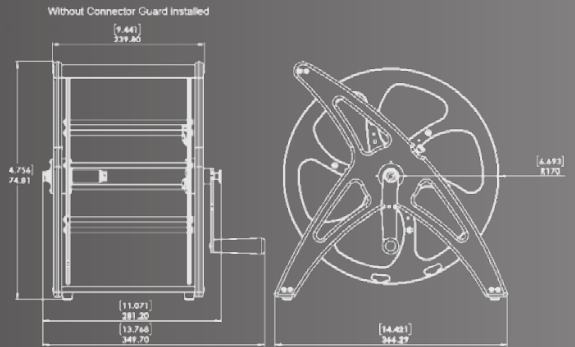
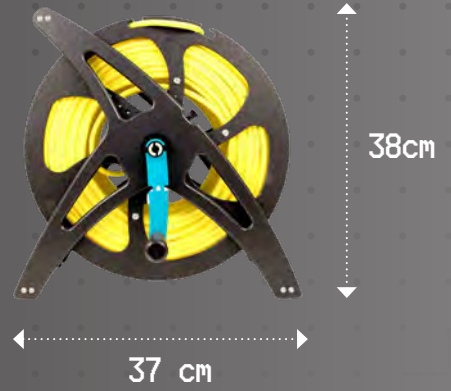
4x Free selectable functions



Standard Option

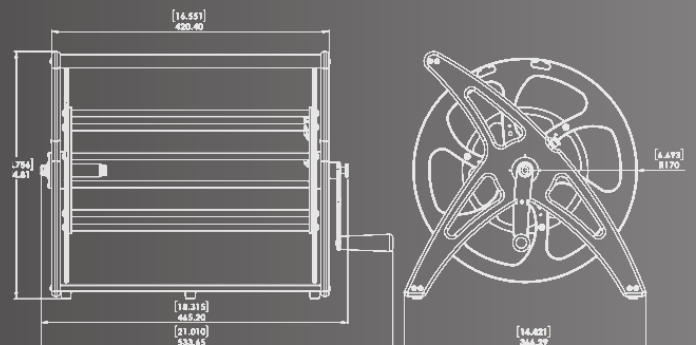
150 M

WEIGHT
2.2 Kg



OPTIONAL
300 M

WEIGHT
2.9 Kg



STANDARD
120 N



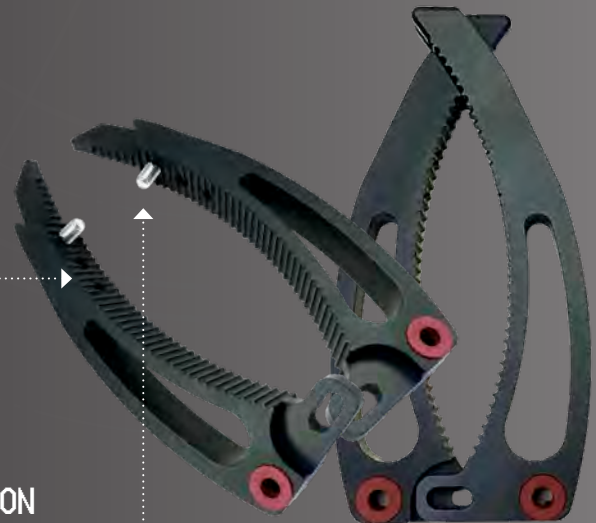
SMALL
CLAW

STANDARD



Overall Length (Closed)	303.2 mm	11.94 in
Overall Length (Open)	309.2 mm	12.17 in
Grip Force (at tip)	97N	22lbf
Grip Force (in middle)	124N	28lbf
Jaw Opening	62 mm	2.44 in

OPTIONAL



LARGE + EXTENSION
& EXTRA GRIP

LARGE
CLAW



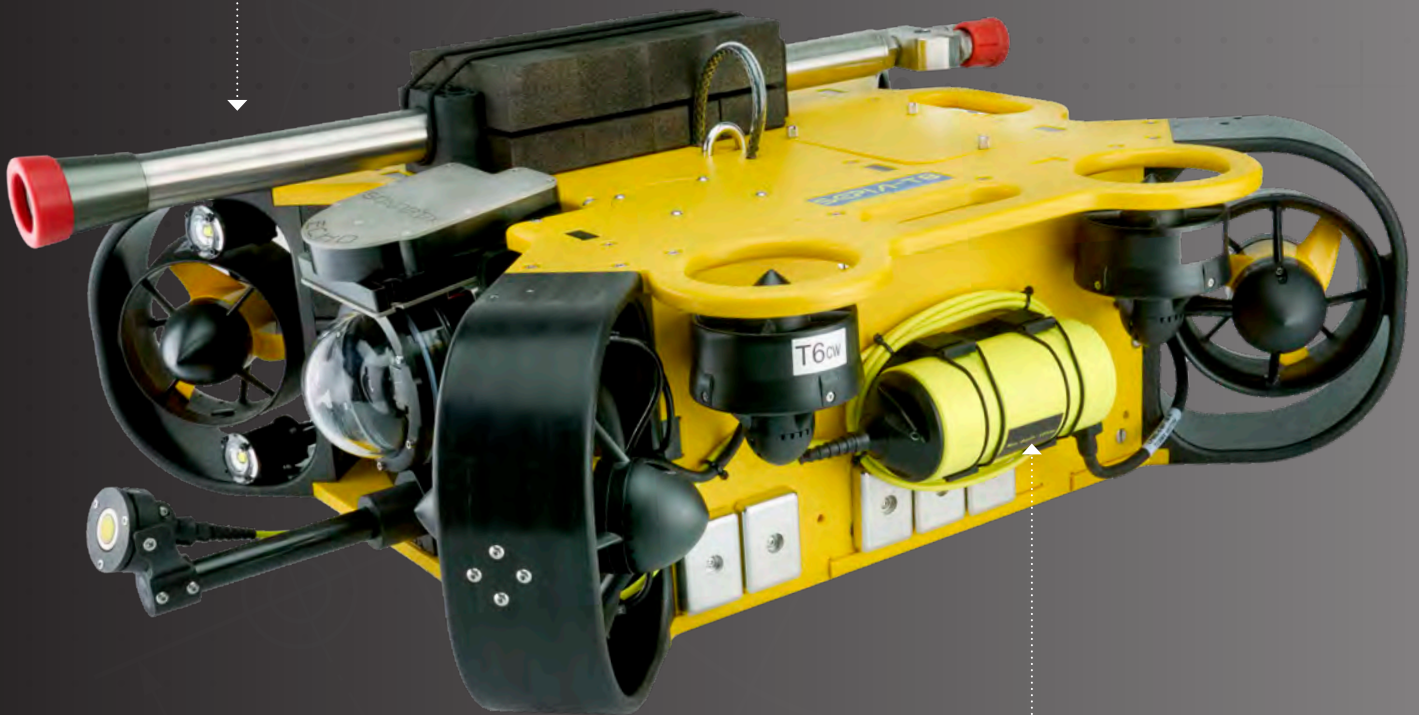
ROV long zero-thrust Cavitation Cleaning Lance
(Max. 50 LPM at 300 bar)

300 bar

- Easy and solid installation
- Maximised underwater cleaning capacity
- Minimum impact on coatings and surfaces
- Safe and ergonomic
- Intensity adjustable with high-pressure unit



DIVEWISE Cavitation Cleaning Lance



TRITEX MULTIGAUGE 4000

NDT THICKNESS GAUGE

- Intelligent Probe Recognition (IPR)
- Automatic Measurement Verification (AMVS)
- Rugged, durable and robust
- No zeroing required
- Easy to use Datalogging software



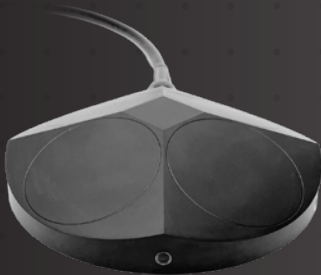
PROBE SENSOR
GIMBAL FOR PROBE



GIMBAL CAMERA

Mounting on top or bottom of ROV
Resolution: 1080p
Pan: 320°
Tilt: 180°
Auto stabilize, manual control of Pan & Tilt

SENSCOPE
ROV SYSTEMS



DVL A50

DVL for underwater positioning
ROV altitude, position hold and auto altitude
function

Minimal altitude : 5 cm
Maximum altitude : 50 m

Water Linked's doppler velocity logs (DVLs) provide accurate velocity measurements for your ROV,

WaterLinked

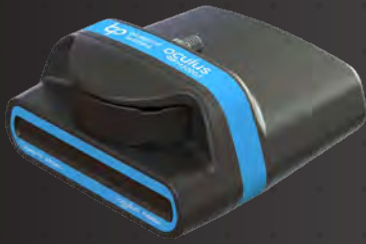


GPS SUBMERSIBLE

To be used when ROV at surface as start position for DVL navigation

Depth rated : 100 m
RTK accuracy : < 1 cm
SBAS accuracy : < 0.9 m

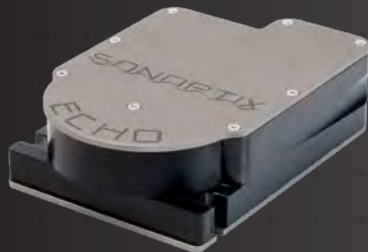
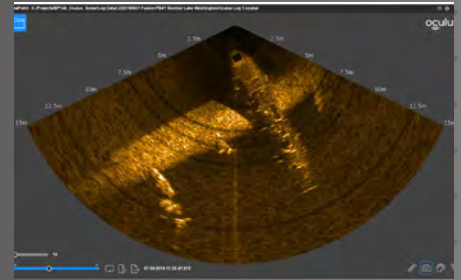
SENSCOPE
ROV SYSTEMS



OCULUS M-series

MULTI BEAM SONAR

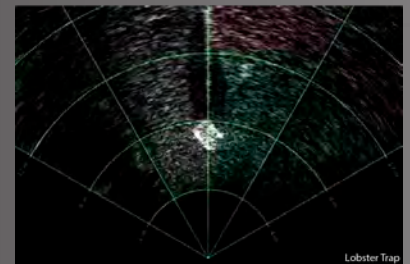
Frequency : 375 KHz to 3 Mhz
 Range : 0. m - 200 m
 Beams : 512
 Horizontal Aperture : 130° / 60°



SONOPTIX ECHO

MULTI BEAM SONAR

Frequency : 400 kHz (>30m) / 700 kHz (<30m)
 Range : 100 m @ 400 kHz / 30 m @ 700 kHz
 Beams : 256
 Horizontal Aperture : 120° / 90°



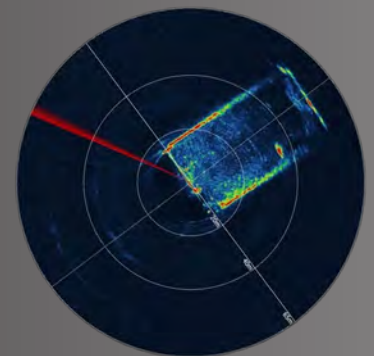
Lobster Trap



ISS360

SCANNING IMAGING SONAR

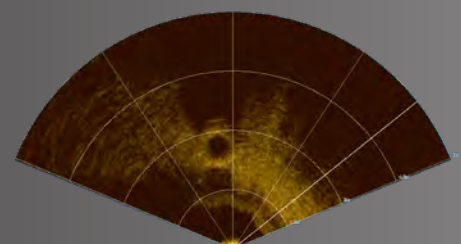
Frequency : 600 - 900 kHz
 Range : 0.15 - 90 m
 Resolution : 2.5 mm
 Step Size : 0.225°, 0.45°, 0.9°, 1.8°, 3.6° & 7.2°
 Beam Angle : 23° Vertical / 2.2° Horizontal



PING 360

SCANNING IMAGING SONAR

Frequency : 750 kHz
 Range : 0.75 - 50 m
 Resolution : 4 mm

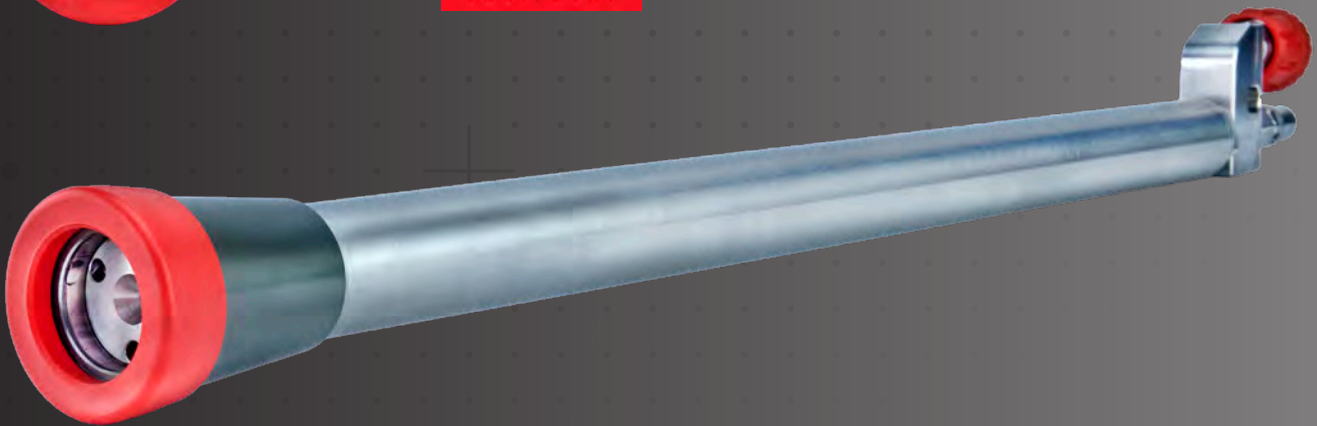




DIVEWISE

ROV LONG ZERO-THRUST CAVITATION CLEANING LANCE

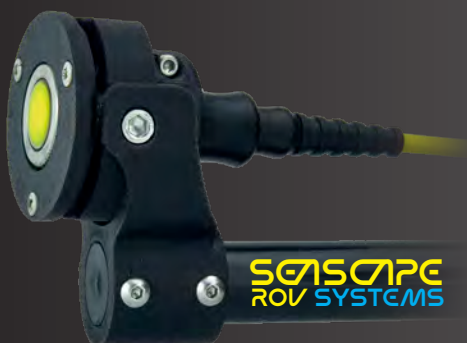
Cavitation and retro lance set for ROV with splitter
 Max. 50 LPM at 300 bar
 Maximum Flow 80 LPM (21 gpm)
 CE & SIR certified



TRITEX

MULTIGAUGE 4100 ULTRASONIC THICKNESS GAUGE

Intelligent Probe Recognition (IPR)
 Automatic Measurement Verification (AMVS)
 Ignores coatings up to 6mm thick
 No zeroing required



CUSTOM MADE

