

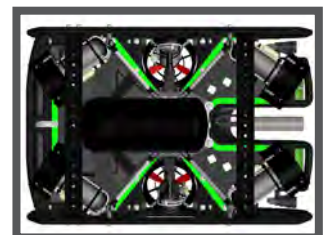
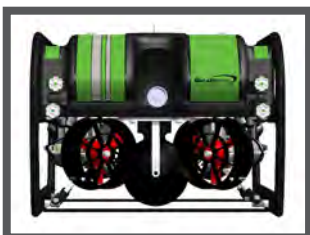
vLBV950 MiniROV Systems

The SeaBotix vLBV950 adds impressive depth capability to our new vLBV series of MiniROVs.

- 950 meter (3,117ft) depth rating and tether lengths to 2,000 meters (6,562 ft)
- 6 Powerful Brushless DC thrusters with oil compensation system
- Variable vector horizontal thruster configuration and dual vertical thrusters
- 100mm propeller for increased power and flexibility
- High resolution sensors and active roll compensation for increased stability
- Multiple camera options including rear and side cameras
- Ultra small diameter high strength, durable, low drag tether
- Wide range of sensors and available options including sonar, tracking, cameras and more



The vLBV950 operates at depths to 950 meters (over 3,000 ft), using our advanced 100mm propellers for leading edge performance in its class. Various deployment configurations are available from free-swimming, to TMS (tether management systems), to LARS (launch and recovery systems).

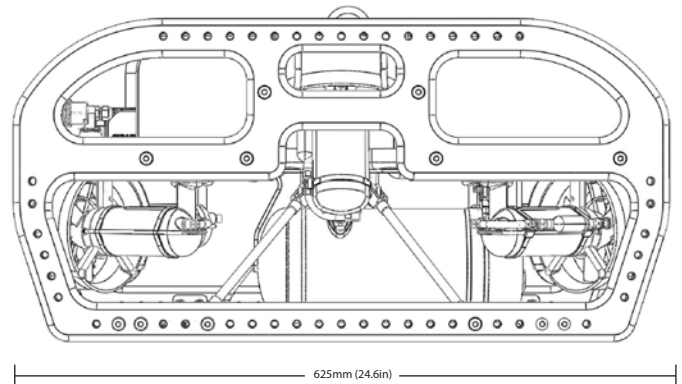


General

Depth Rating:	950m (3,117ft)
Length:	625mm (24.6in)
Width:	390mm (15.4in)
Height:	390mm (15.4in)
Diagonal:	551mm (21.7in)
Weight in air:	19kg (41.9lbs)

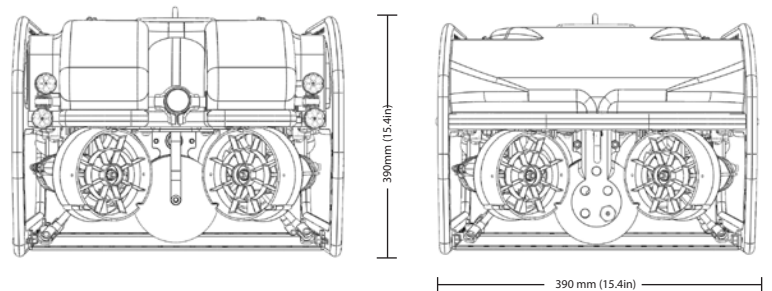
Thrusters/Performance

Configuration:	4 vectored, 2 vertical vertran
Vector Angle:	Manually variable 45°/35°, 35°, 18° or combination
Motor Type:	Brushless DC direct drive
Prop Diameter:	100mm standard
Bollard Thrust:	See chart below right
Speed:	3+ knots (nominal)



Cameras/Lighting

Camera:	650 line high resolution color
Camera Tilt:	180 degrees
Diagonal Angle of View:	65 degrees in water
Sensitivity:	0.1 lux @ f2.0
Format:	NTSC or PAL
Lighting:	2,160 Lumen LED tracking camera



Control System

Configuration:	Rugged case with weatherproof monitor and removable operator control unit
Monitor:	Color LCD
Power Requirement:	5700 watts, 187-229VAC or 216-264VAC, 50Hz – 400Hz
Safety:	Isolated input, circuit breaker, LIM, leak monitor Meets & exceeds "Code of Practice for the Safe use of Electricity in Water"
Auto Functions:	Depth, heading, trim
Video Overlay:	Depth, heading, lights, thruster gain, turns counter, camera angle, time, date and user programmable characters

vLBV950 Bollard Thrust	
100mm Props	
45°/35° Vector	
Forward	18.1kgf
Lateral	15.2kgf
35° Vector	
Forward	19.4kgf
Lateral	13.6kgf
18° Vector	
Forward	22.5kgf
Lateral	7.3kgf

Tether/Reel

Diameter:	9.05mm (0.35in) nominal
Length:	500m (1,640ft) standard
Working Load:	100kgf (220lbf)
Breaking Strength:	700kgf (1,543lbf)
Buoyancy:	Neutral in seawater
Reel:	Heavy duty with slip ring

Options

Tether Lengths:	750, 1,000, 1,250, 2,000m (2,460, 3,280, 4,101, 6,562ft)
Cameras:	Low light B/W, zoom, rear facing, side facing
Grabber:	Three jaw, interlocking small, interlocking large, parallel and cutter
Sonar:	Scanning sonar, multi-beam sonar, profiling sonar
Tracking:	USBL positioning system
Console:	Integrated Navigation and Control Console
Other:	Additional lighting, thickness gauge, CP and more

