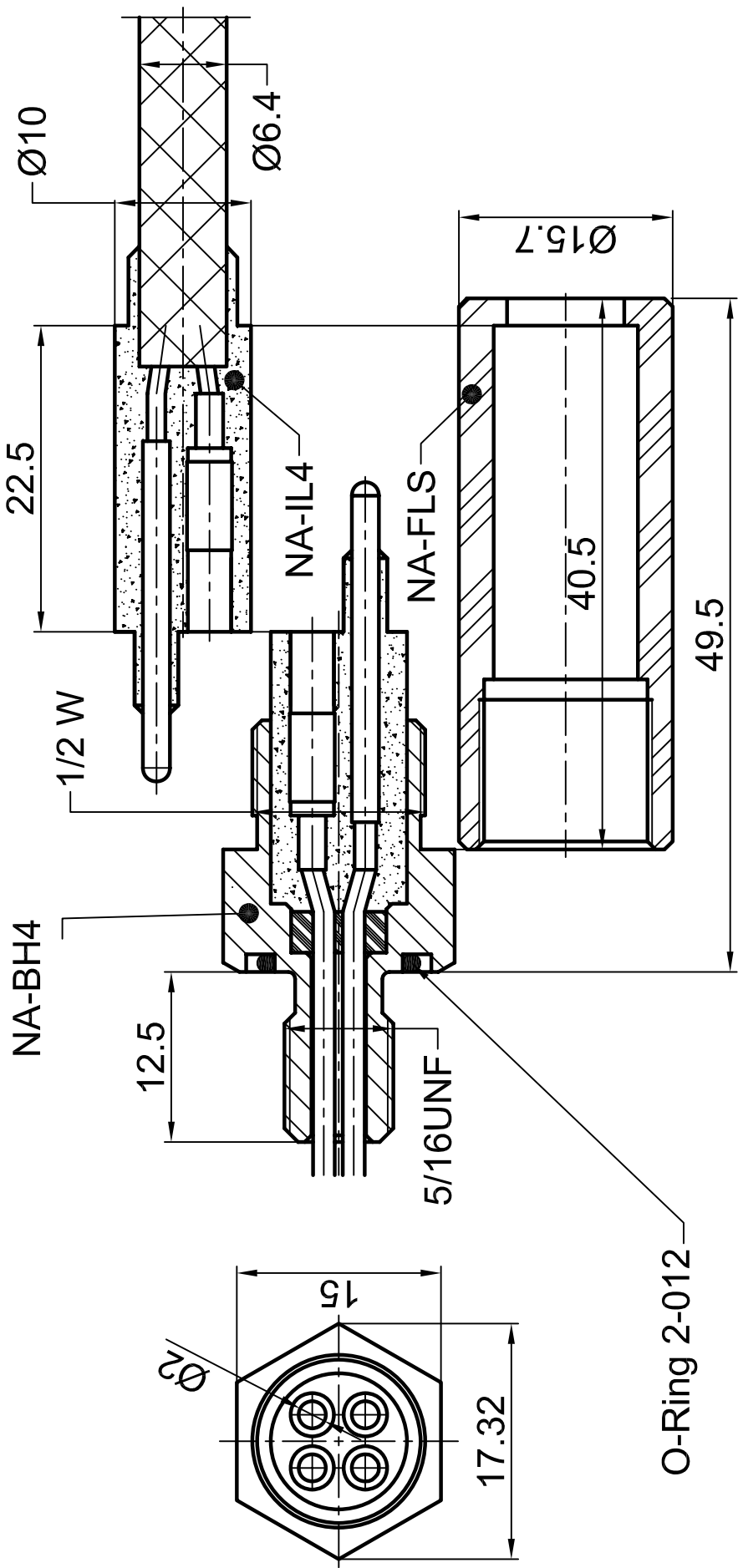


REV	0	Initial draw	4.08.06	LG
REV				



Dims in mm	DESIGN	NAME	DATE
	DRAWN	LG	4.08.06
	APPROVED	EB	4.08.06
TOLERANCES Linear 0 Dec + 0.25mm 1 Dec ± 0.10mm 2 Dec + 0.05mm Angular + 0.25°			
MATERIAL:			

ZEVULUN Marine Systems, Ltd
 Avnei Eitan, Ramat Hagolan, Israel 12925, Tel: 972-4 6763863,
 Fax: 972-4 6762682, www.aquamate.biz, Email: zevulun@012.net.il

DWG NAME: **NA-BH4 / NA-IL4 / NA-FLS**

DWG No: _____ REV: **0**

DO NOT SCALE SHEET 1 OF 1 A4

Marketed by:

SEASCAPE
 SUBSEA TECHNOLOGY

De Hoogflens 22
 4254 XW Sleenwijk
 The Netherlands
 T: +31-183-307900 F: +31-183-307910
 E: info@seascape.nl www.seascape.nl