



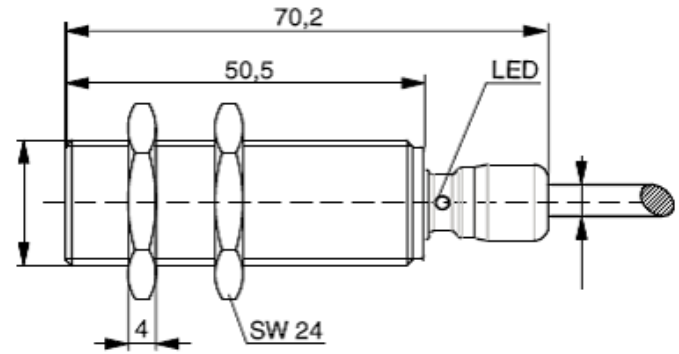
**Inductive proximity switch depth rated to 600 m. With long operating distance on steel and aluminium ideal for sea-water applications.**

### Features

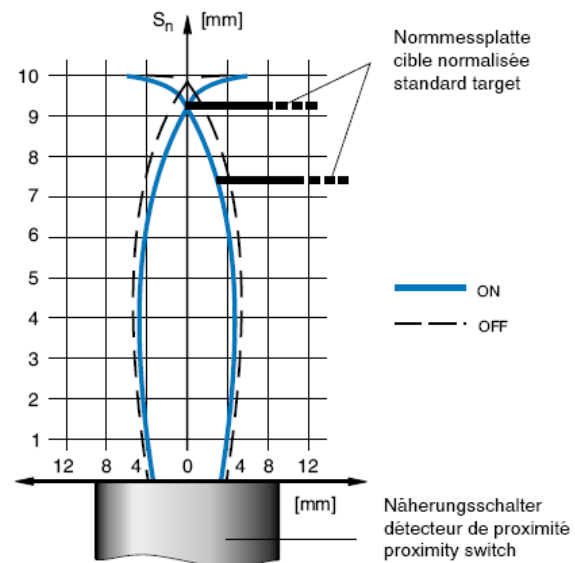
- Extremely resistant: one-piece housing (incl. sensing face) resistant stainless steel (V4A/316L)
- Extremely impervious: IP 68 + IP 69K
- Supply voltage 10 ... 30 VDC, output current 200 mA
- Indication of secured operating zone (LED on)
- PNP – Normally Open and NPN Normally Closed executions
- Connection via corrosion-resistant TPE-S/PU cable with molded MCIL3M/MCIL5M or other client specific connector, cable length selectable.

### Technical data: (according to IEC 60947-5-2)

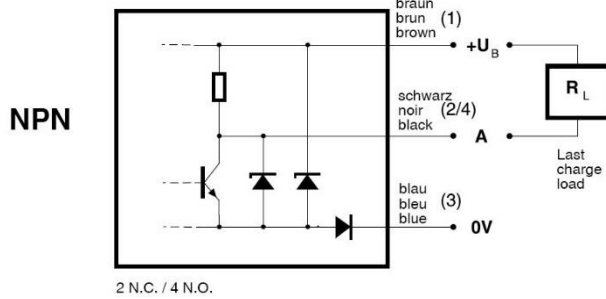
<b>Rated operating distance <math>S_n</math></b>	: 10 mm
<b>Hysteresis</b>	: $\leq 15\% S_r$
<b>Standard target</b>	: 30 x 30 x 1 mm, FE 360
<b>Repeat accuracy</b>	: 0,5 mm*
<b>Supply voltage range <math>U_B</math></b>	: 10 ... 30 VDC
<b>Max. ripple content</b>	: $\leq 20\% U_B$
<b>Output current</b>	: $\leq 200$ mA
<b>Output voltage drop</b>	: $\leq 2,0$ V bei / à / at 200 mA
<b>No-load supply current</b>	: $\leq 10$ mA
<b>Leakage current</b>	: $\leq 0,1$ mA
<b>Switching frequency</b>	: $\leq 300$ Hz
<b>Time delay before availability</b>	: $\leq 40$ msec.
<b>LED (<math>0 \leq s \leq 0,8 S_r</math>)</b>	: on
<b>LED (<math>0,8 s_r &lt; s \leq S_r</math>)</b>	: blinking
<b>Ambient temperature range <math>T_A</math></b>	: -25 ... +85 °C
<b>Temperature drift of <math>S_r</math></b>	: $\leq 10\%$
<b>Pressure resistance</b>	: 60 bar max.
<b>Short-circuit protection</b>	: built-in
<b>Voltage reversal protection</b>	: built-in
<b>Induction protection</b>	: built-in
<b>Shocks and vibration</b>	: IEC 60947-5-2 / 7.4
<b>Cable length</b>	: 300 m max. 112 g / 51 g
<b>Weight (cable / connector)</b>	: IP 68 & IP 69K
<b>Degree of protection EMC protection: IEC 60255-5</b>	
<b>IEC 61000-4-2</b>	: Level 4
<b>IEC 61000-4-3</b>	: Level 3
<b>IEC 61000-4-4</b>	: Level 3
<b>Housing and sensing face material</b>	: INOX / stainless steel (V4A / 1.4435 / AISI 316 L)
<b>O-ring material</b>	: EPDM
<b>Sensing face thickness</b>	: 0,6 mm
<b>Connecting cable (other lengths on request)</b>	: TPE-S 2 m and PU with connector on request



### Ansprechkurve\* / Courbe de réponse\* / Response diagram\*:



## Specifications

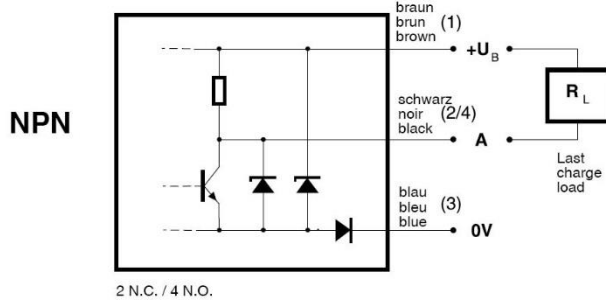


### Connector MCIL5M

Pin	Function
1	: 0 V
2	: A
3	: +Ub
4	: n/c
5	: n/c

### Correction for target

Material	Factor
Steel	: 1.0
Copper	: 0.8
Aluminium	: 1.0
Brass	: 1.2
Inox 1mm/2mm thick	: 0.5/0.9



### Connector MCIL3M

Pin	Function
1	: +Ub
2	: A
3	: 0V

### Correction for target

Material	Factor
Steel	: 1.0
Copper	: 0.8
Aluminium	: 1.0
Brass	: 1.2
Inox 1mm/2mm thick	: 0.5/0.9

## Einbau / Montage / Installation:

