



Novasub has a range of high definition IP camera ideal for pan & tilt units, ROV's, fixed installations and more.

The Novasub NSHDDSSGIP4 is a robust IP camera with a 3 megapixel high definition resolution. The camera has a built in vario focal length which can be set by manufacturer at desired focal length.

Features

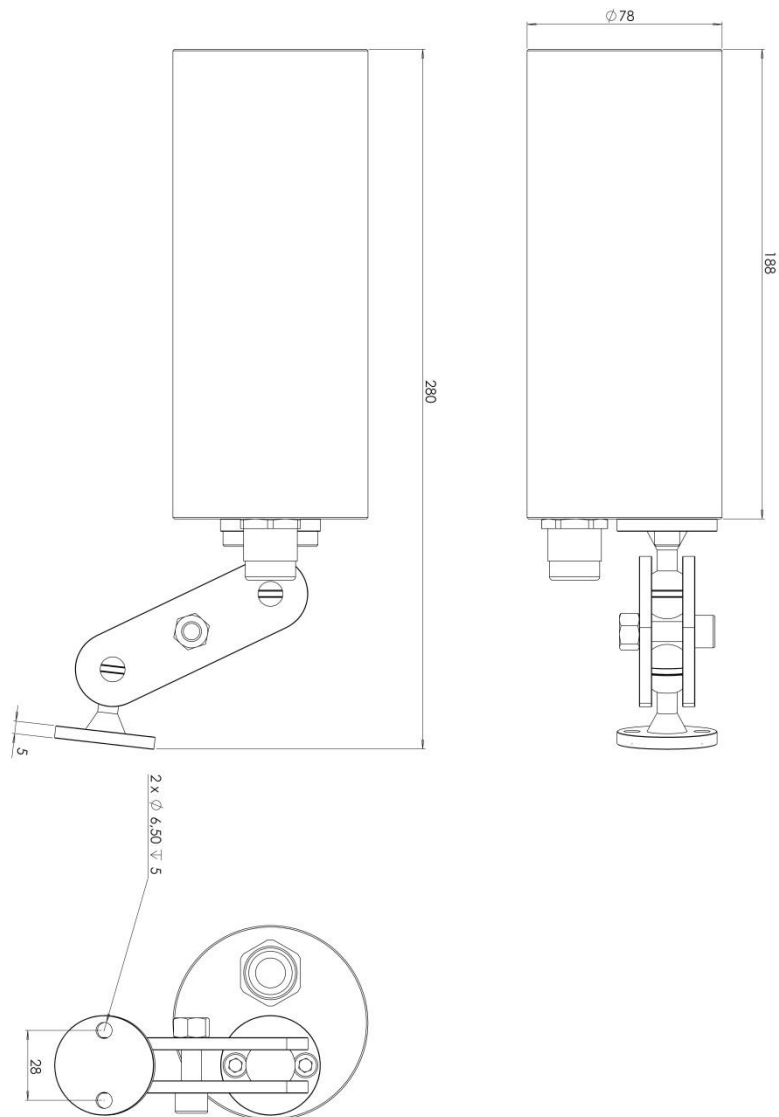
- Full stainless steel 316 or DELRIN housing
- 3 Megapixels

Options

- Built in parallel lasers
- Built in depth sensor

Specifications

Image Sensor	1/2.8" 3.0M SONY Exmor CMOS;ICR
Lens	f=3.3~12mm,Auto Iris
Pixel	2096(H)X1561(V); 0.2Lux@F1.4(Color); H.264/MJPEG;3.0M/15fps,1080p(1~25ps);
Day/Night Mode	Support day/night mode switch and IR-CUT at the same time. (The lens has built-in IR-CUT mechanical component.).
Auto Aperture	DC drive
Gain Control	Fixed/Auto
White Balance	Manual/Auto
BLC	On/Off
Exposure Mode	Manual/Auto, PAL: It ranges from 1/3 to 1/10000
Video Compression	Standard H.264/JPEG/MJPG
Video Frame Rate	PAL: Main stream (3M@15fps, 1080P@25fps, SXGA@25fps, 1.3M@25fps 720P@25fp, 704*576@25fps) Extra stream (704*576@25fp, 352*288@25fps)
Wire Network	1-channel wire Ethernet port, 10/100 Base-T Ethernet
Network Protocol	Standard HTTP, TCP/IP, ARP, IGMP, ICMP, RTSP, RTP,UDP, RTCP, SMTP, FTP, DHCP, DNS, DDNS, PPPOE, UPNP, NTP, Bonjour, SNMP,
Onvif Compatible	
Underwater angle	at 3,3 mm: Horizontal FOV: 56° Vertical FOV: 46° Diagonal FOV 64°
Dimensions	188 mm x ø78 mm (excl. Connector)
Weight	SS 316 – 2,5 kg (in air), 1,6 kg (in water) Delrin – 800 gr (in air), 100 gr buoyancy (in water)



Related Products:

- Ball bracket
- Novasub SCC/SCB/SCU Control/DVR units
- Novasub LED lights
- Novasub Cables/Diver Umbilicals

Distributed by: