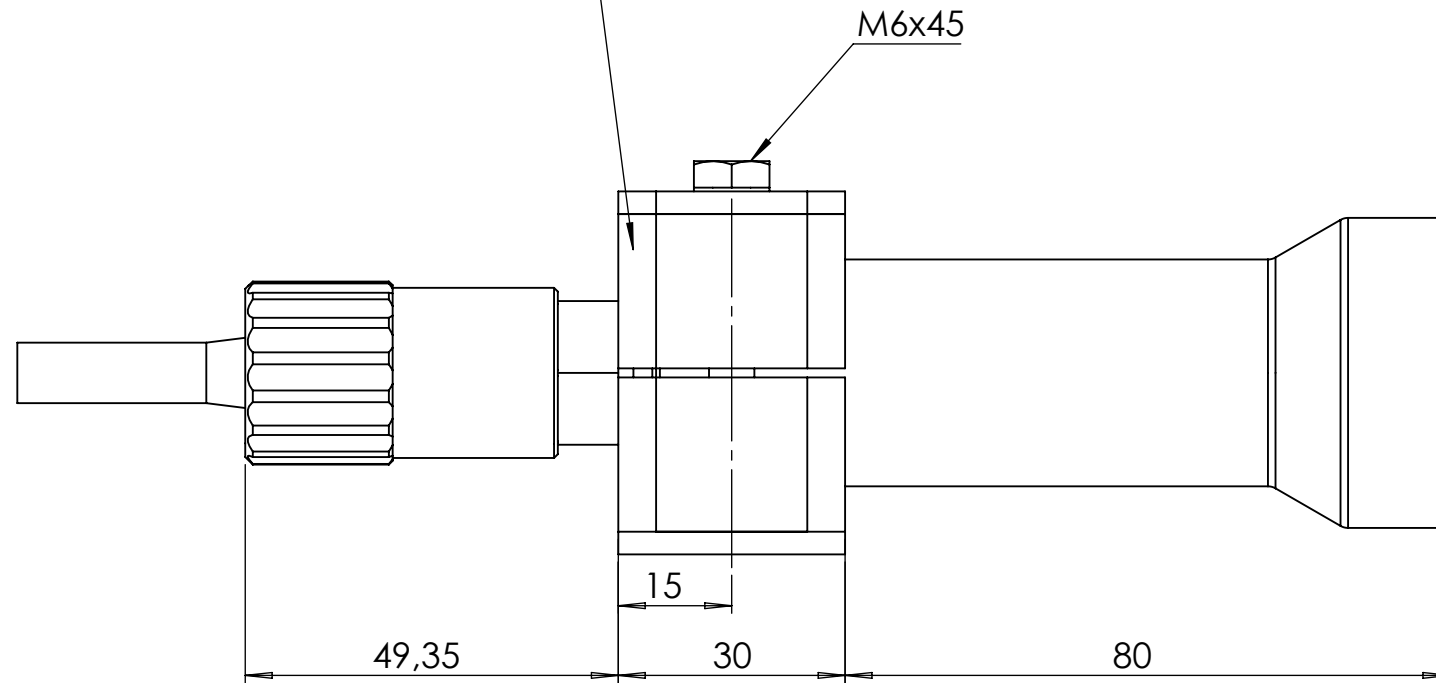
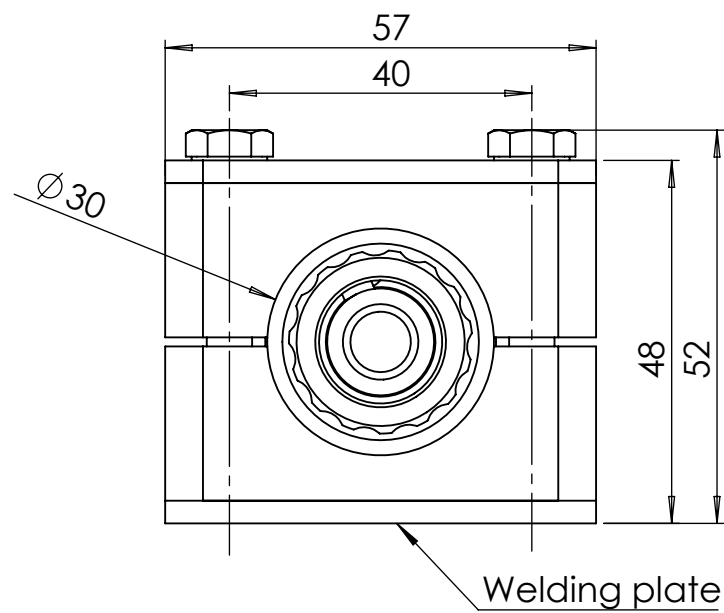


Because of cooling purposes the bracket must be mounted on the end of the camera!



De Hoogjens 22
4254 XW, Sleenwijk
The Netherlands
+31-183-307900
info@seascope.nl

Unless otherwise specified:
DIMENSIONS ARE IN MILLIMETERS
DEBUR AND BREAK SHARP EDGES

	NAME	DATE	SPECIFICATIONS
DRAWN:	A. den Besten	30-11-2017	WEIGHT: 1.33 kg
CHK'D:	A. den Besten	30-11-2017	MATERIAL: AISI316L
APPV'D:			TOL: DIN ISO 2768-1 Medium

DO NOT SCALE DRAWING		REVISION: B
File name: N2A03A05D01 - SSBNSBCLSS-A U:\Solidworks\Novasub\2 Brackets\N2A03 - Clamps\Drawings\		
Title: NSBCBL with clamp SSBNSBCLSS-A		
DWG NO. N2A03A05D01 - SSBNSBCLSS-A	A3	
SCALE: 1:1	SHEET 1 OF 1	