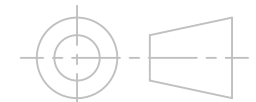
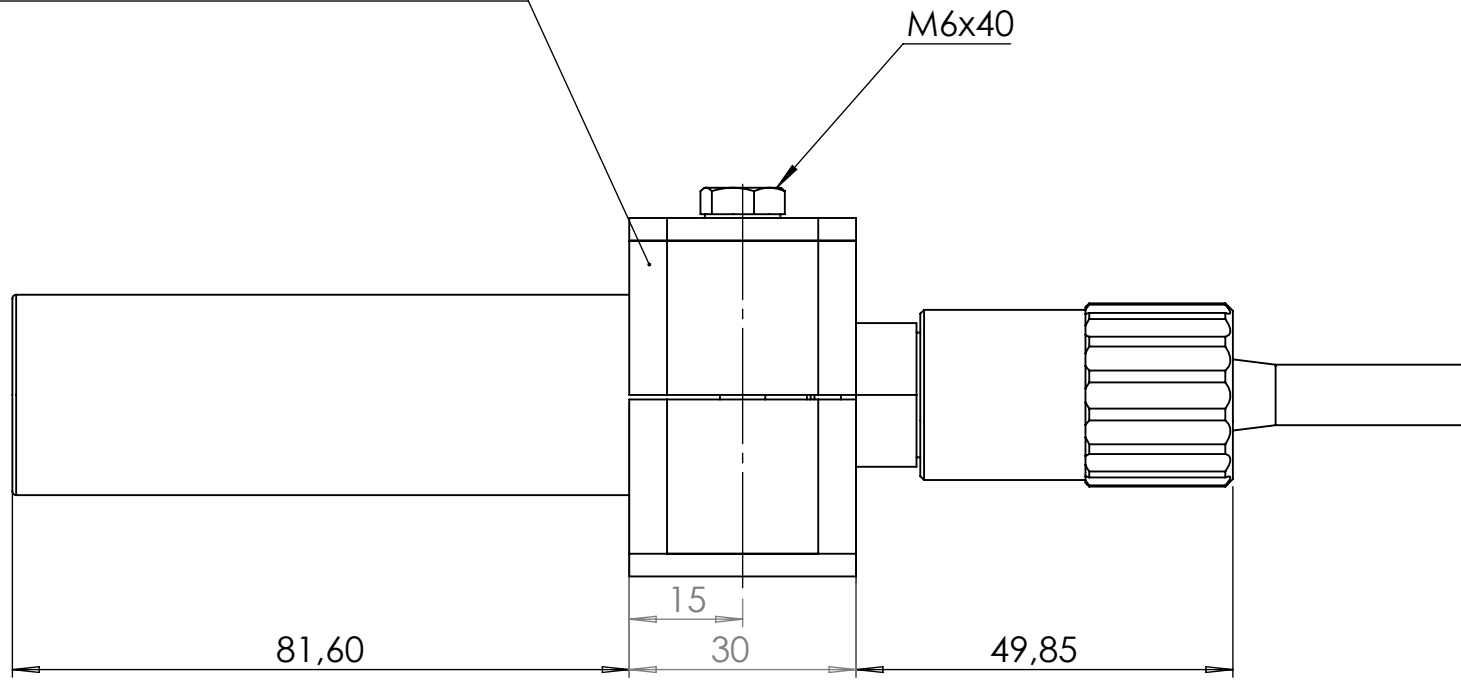
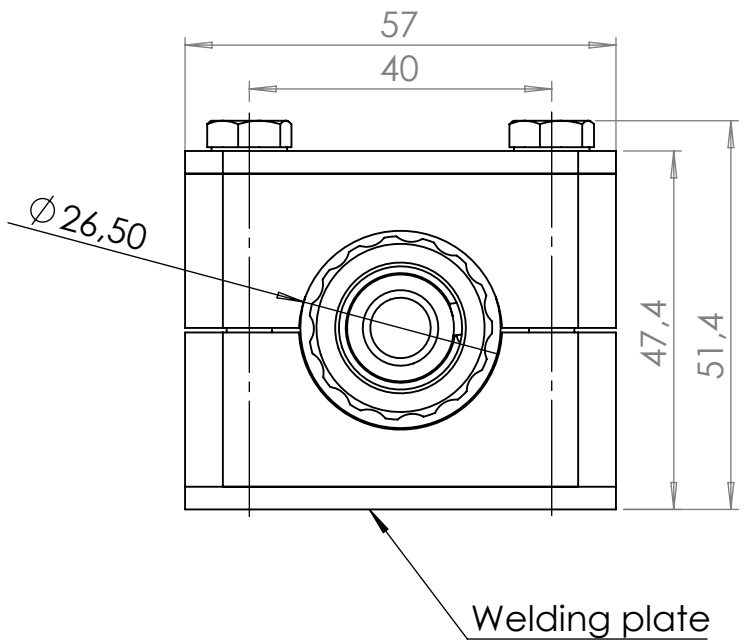


Because of cooling purposes the bracket must be mounted on the end of the camera!



De Hoogjens 22
4254 XW, Sleenwijk
The Netherlands
+31-183-307900
info@seascape.nl

Unless otherwise specified:
DIMENSIONS ARE IN MILLIMETERS
DEBUR AND BREAK SHARP EDGES

| | NAME | DATE | SPECIFICATIONS |
|---------|---------------|------------|----------------------------|
| DRAWN: | A. den Besten | 30-11-2017 | WEIGHT: |
| CHK'D: | A. den Besten | 26-06-2015 | MATERIAL: AISI316L |
| APPV'D: | | | TOL: DIN ISO 2768-1 Medium |

| | | |
|-----------------------------------------------------------------------------------------------------|--------------|-------------|
| DO NOT SCALE DRAWING | | REVISION: B |
| File name: N2A03A01D01 - SSBNSBCB-A U:\Solidworks\Novasub\2 Brackets\N2A03 - Clamps\Drawings\ | | |
| Title: NSBCB with clamp SSBNSBCB-A | | |
| DWG NO. N2A03A01D01 - SSBNSBCB-A | A3 | |
| SCALE: 1:1 | SHEET 1 OF 1 | |