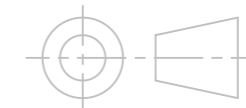
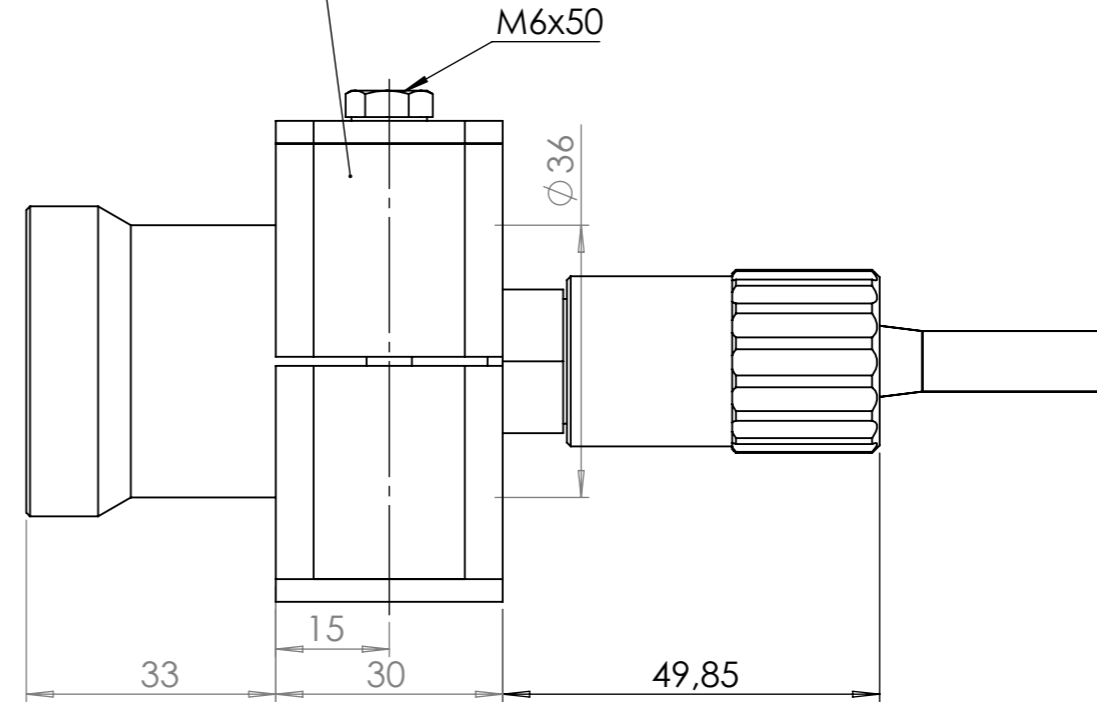
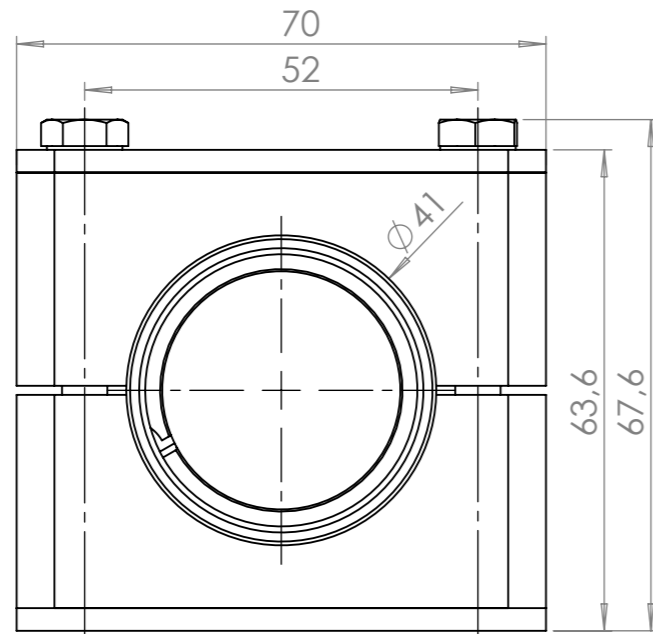


Because of cooling purposes the bracket must be mounted on the end of the camera!



De Hoogjens 22
4254 XW, Sleenwijk
The Netherlands
+31-183-307900
info@seascape.nl

Unless otherwise specified:
DIMENSIONS ARE IN MILLIMETERS
DEBUR AND BREAK SHARP EDGES

	NAME	DATE	SPECIFICATIONS
DRAWN:	A. den Besten	30-11-2017	WEIGHT: 0.53 kg
CHK'D:	A. den Besten	26-06-2015	MATERIAL: AISI316L
APPV'D:			TOL: DIN ISO 2768-1 Medium

DO NOT SCALE DRAWING

REVISION: B

File name:
N2A03A00D01 - SSBLUX6R
U:\Solidworks\Novasub\2 Brackets\N2A03 - Clamps\Drawings\

Title:
LUX6R with clamp SSBLUX6R

DWG NO.
N2A03A00D01 - SSBLUX6R

A3

SCALE: 1:1

SHEET 1 OF 1