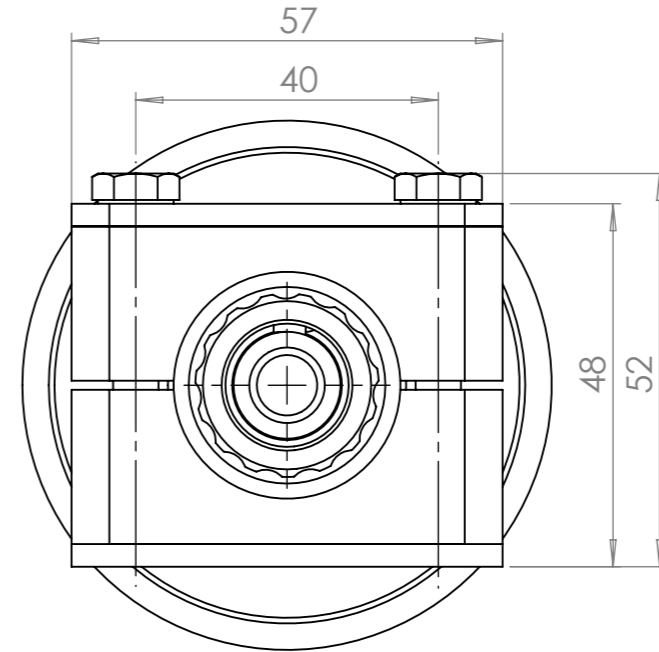
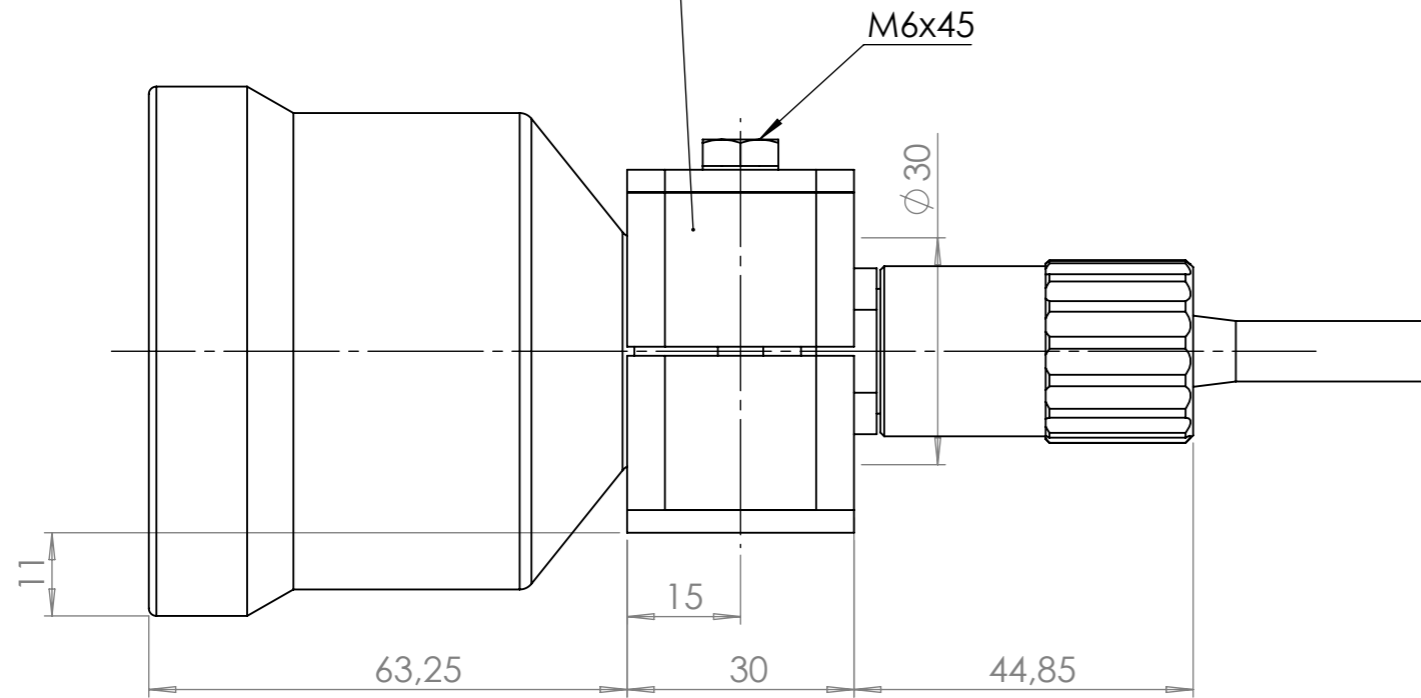
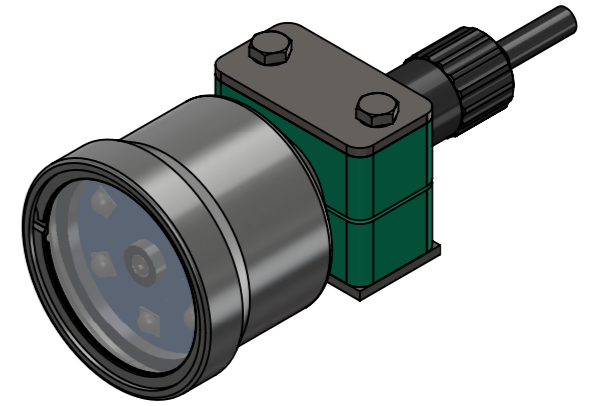


Because of cooling purposes the bracket must be mounted on the end of the LED light!



De Hoogjens 22
4254 XW, Sleenwijk
The Netherlands
+31-183-307900
info@seascope.nl

Unless otherwise specified:
DIMENSIONS ARE IN MILLIMETERS
DEBUR AND BREAK SHARP EDGES

	NAME	DATE	SPECIFICATIONS
DRAWN:	A. den Besten	30-11-2017	WEIGHT: 0.86 kg
CHK'D:	A. den Besten	7-7-2016	MATERIAL: AISI316L
APPV'D:			TOL: DIN ISO 2768-1 Medium

DO NOT SCALE DRAWING		REVISION: B
File name: N2A03A02D01 - SSBLUX6M U:\Solidworks\Novasub\2 Brackets\N2A03 - Clamps\Drawings\		
Title: LUX6M with clamp SSBLUX6M		
DWG NO. N2A03A02D01 - SSBLUX6M		A3
SCALE: 1:1	SHEET 1 OF 1	