



## Multi Stage, Six-Port configuration High Pressure regulator.

A high pressure, high flow regulator with excellent performance, capable of the largest flowrate in its class, with 4000 LPM @ 41 Bar. The HPREG4000-41 multi-stage design ensures accurate pressure control of the cylinder, during the product lifecycle.

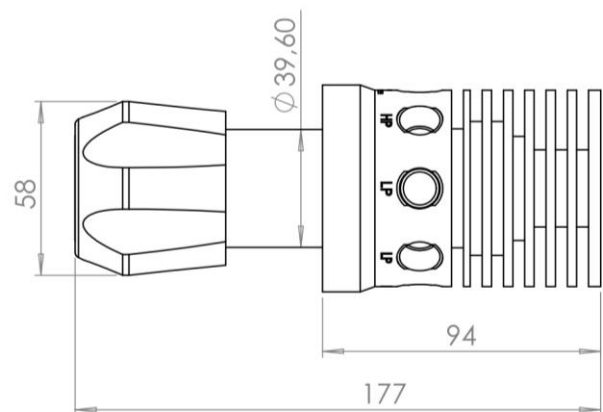
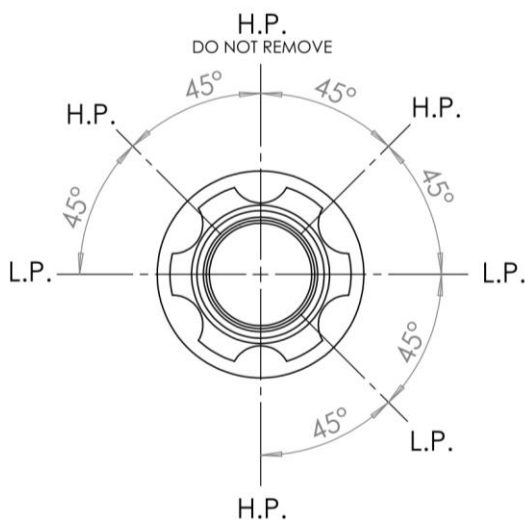
This product is suitable for both cylinder and manifold mounting and is used in many process control applications. Already a favorite in the diving industry. This product is used in a wide range of applications for high pressure underwater cutting and diving gas control.

### Features

- All brass construction;
- Finned bod to reduce refrigerant effect;
- Multi stage design for accurate pressure control;
- Piston design for ease of pressure adjustment;

### Specifications

Type	: Multi-stage
Inlet Pressure	: 300 Bar (4350 PSI) or 230 Bar (3335 PSI)
Outlet Pressure	: 0-41 Bar
Temperature Range	: -20°C to +60°C (-4° to + 140° F)
Max. flowrate	: 270 m <sup>3</sup> /hr. @21°C in Air at 300 Bar Inlet
Weight	: 2,8 kg (6.2lb)
Materials	
Body	: Brass
Valve seat	: Nylon/Neoprene
Piston	: Brass
Inlet & outlet Connections	: 1/4" NPT



### Related Products:

- Diver gas panels

### Distributed by: