



Multi Stage, Seven-Port configuration High Pressure regulator, with pressure relief valve and in- outlet pressure gauges.

A high pressure, high flow regulator with excellent performance, capable of the largest flowrate in its class, with 4000 LPM @ 13 Bar. The HPREG4000-13 multi-stage design ensures accurate pressure control through the life of the cylinder.

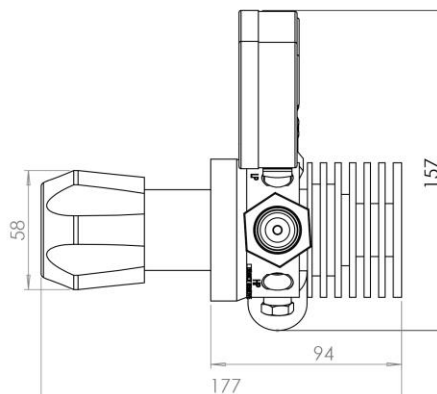
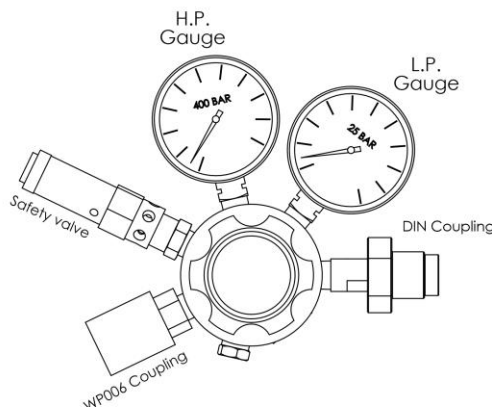
This product is used in many process control applications and is suitable for both cylinder and manifold mounting.

Features

- All brass construction;
- Finned bod to reduce refrigerant effect;
- Multi stage design for accurate pressure control;
- High capacity safety relief valve for maximum protection;
- Piston design for ease of pressure adjustment;
- Pressure gauges to ISO 5171.

Specifications

	HPREG4000-13	HPREG4000-13-230B
Type	: Multi-stage	: Multi-stage
Inlet Pressure	: 300 Bar (4350 PSI)	: 230 Bar (3335 PSI)
Outlet Pressure	: 0-41 Bar	: 0-41 Bar
Temperature Range	: -20°C to +60°C (-4° to + 140° F)	: -20°C to +60°C (-4° to + 140° F)
Max. flowrate	: 270 m ³ /hr. @21°C in Air at 300 Bar Inlet	: 270 m ³ /hr. @21°C in Air at 230 Bar Inlet
Weight	: 3 kg (6.6lb)	: 3 kg (6.6lb)
Materials		
Body	: Brass	: Brass
Valve seat	: Nylon/Neoprene	: Nylon/Neoprene
Piston	: Brass	: Brass
Inlet Connection	: DIN/RU6	: DIN/RU6
Outlet port	: WP quick coupling female or JIC06 male	: WP quick coupling female or JIC06 male
HP pressure gauge	: 0-400 Bar	: 0-400 Bar
LP pressure gauge	: 0-25 Bar	: 0-25 Bar
Safety valve	: Set @ 15 Bar	: Set @ 15 Bar



Related Products:

- Gas cylinders

Distributed by: