

1 2 3 4 5 6 7 8

A

A

B

B

C

C

D

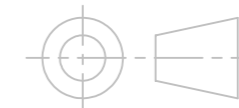
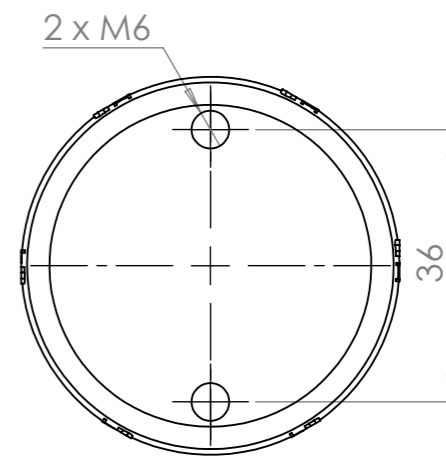
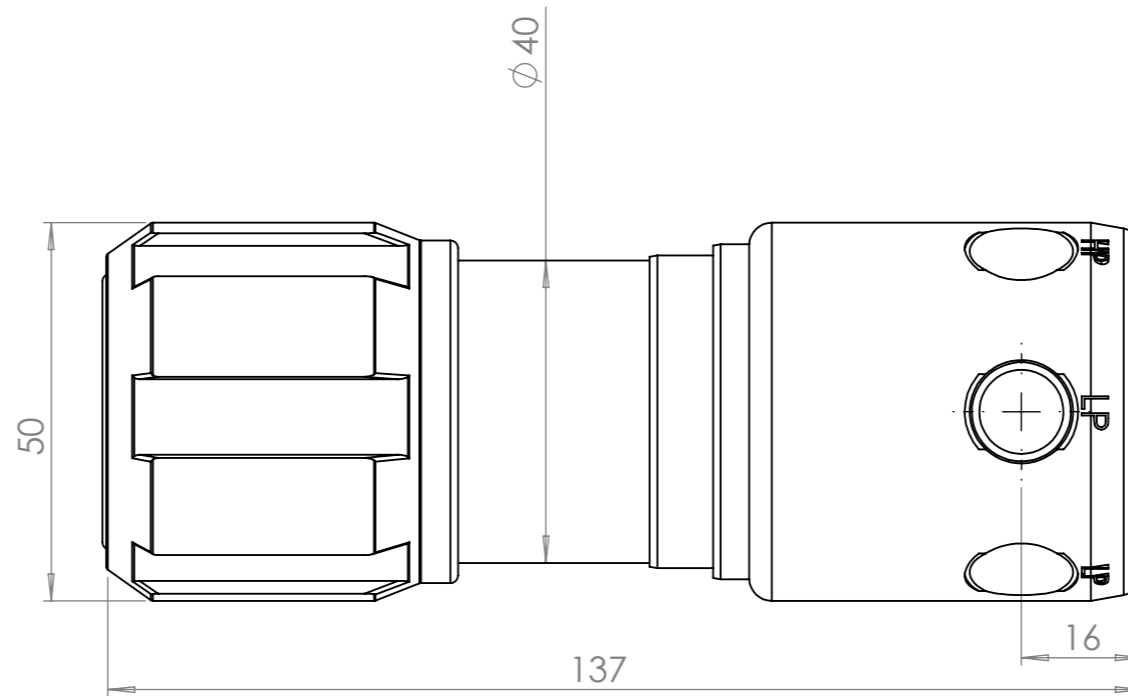
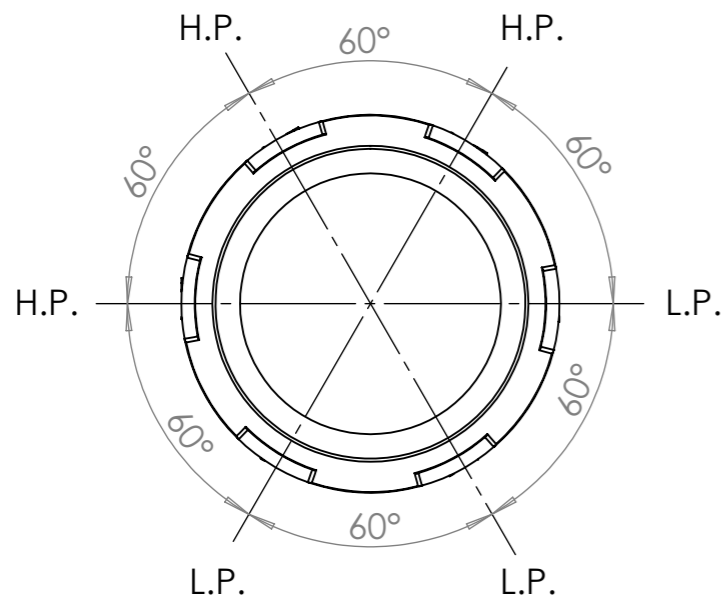
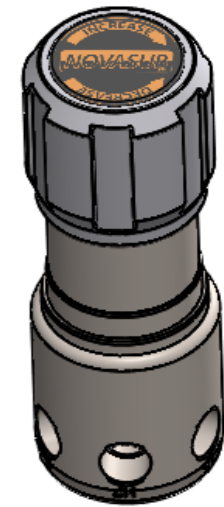
D

E

E

F

F



De Hoogjens 22
4254 XW, Sleenwijk
The Netherlands
+31-183-307900
info@seascope.nl

Unless otherwise specified:
DIMENSIONS ARE IN MILLIMETERS
DEBUR AND BREAK SHARP EDGES

	NAME	DATE	SPECIFICATIONS
DRAWN:	A. den Besten	24-2-2017	WEIGHT: 1.20 kg
CHK'D:	A. den Besten	27-05-2016	MATERIAL:
APPVD:			TOL: DIN ISO 2768-1 Medium

DO NOT SCALE DRAWING		REVISION:
File name: HPREG2000-20 U:\Solidworks\Novasub\39 HPREG\Drawings\		
Title:		
DWG NO. HPREG2000-20		A3
SCALE: 1:1	SHEET 1 OF 1	