



Reliable high quality dive panel Pneumometer.

The standard configuration is 0-60 MSW / 0-195 FSW, other models and configurations are available on request. The gauge is equipped with mirror scale and pinch pointer for accurate reading.

The safety category is according to EN837-1 S3. A blow-out disk on the back and break-proof safety glass.

The gauge is suitable for use with (enriched oxygen) diving gases. The gauge is a 0.25 class and will be delivered with a calibration report.

Features

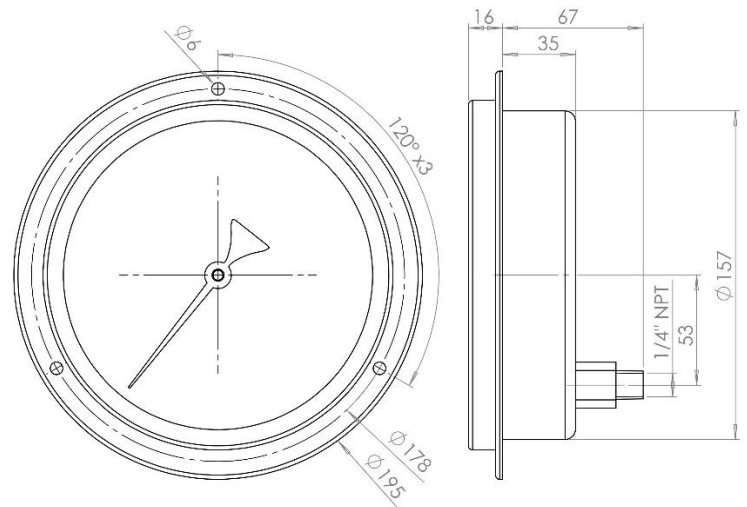
- Economical model
- Mirror scale
- Blow-out disk
- Safety glass

Applications

- Air diving gas panels

Specifications

Size	: 6" dia x 3,3" high Ø160 mm x 83 mm
Range	: 0-60 MSW or 0-195 FSW
Class	: 0.25
Connection	: 1/4" NPT
Materials	: AISI 316 case, BeCu tube spring
Panel cut out	: Ø165 mm



Related Products:

- Air diving gas panels

Distributed by: