

De Hoogjens 22
4254 XW, Sleenwijk
The Netherlands
+31-183-307900
info@seascope.nl

Unless otherwise specified:
DIMENSIONS ARE IN MILLIMETERS
DEBUR AND BREAK SHARP EDGES

	NAME	DATE	WEIGHT:	SPECIFICATIONS
DRAWN:	-	13-5-2016	0.52	
CHK'D:	-		MATERIAL:	
APPV'D:			TOL:	-

DO NOT SCALE DRAWING

REVISION:

File name:
NSDGA technical drawing
U:\Solidworks\Projecten\156 DGA Diver Gas Analyser\Drawings\

Title:

NSDGA V1.0 & NSDGA-O₂-EXT

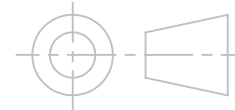
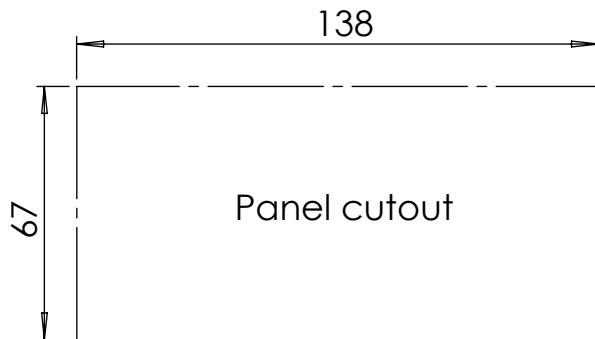
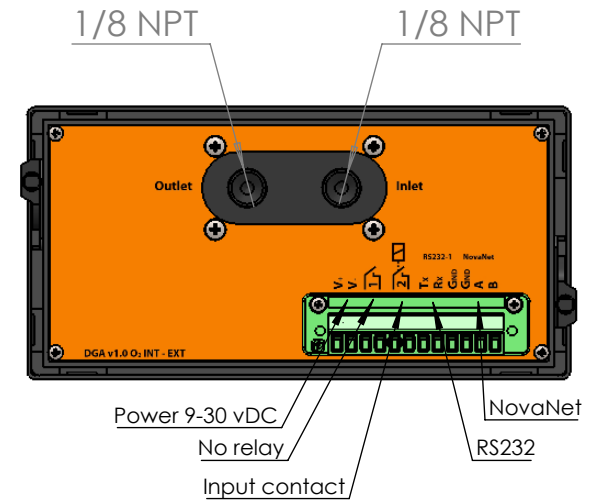
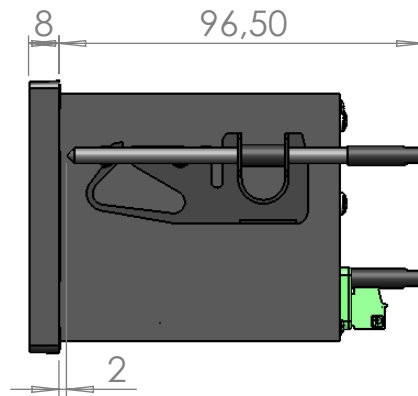
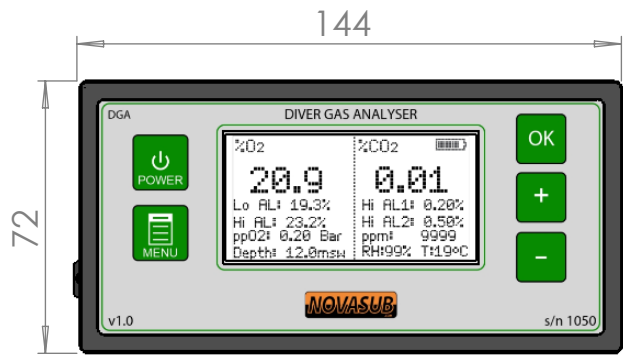
DWG NO.

NSDGA technical drawing

A4

SCALE: 1:2

SHEET 1 OF 5



De Hoogjens 22
4254 XW, Sleenwijk
The Netherlands
+31-183-307900
info@seascope.nl

Unless otherwise specified:
DIMENSIONS ARE IN MILLIMETERS
DEBUR AND BREAK SHARP EDGES

	NAME	DATE	WEIGHT:	SPECIFICATIONS
DRAWN:	-	13-5-2016	1.33	
CHK'D:	-		MATERIAL:	
APPV'D:			TOL:	-

DO NOT SCALE DRAWING

REVISION:

File name:
NSDGA technical drawing
U:\Solidworks\Projecten\156 DGA Diver Gas Analyser\Drawings\

Title:

NSDGA-O₂-INT-EXT

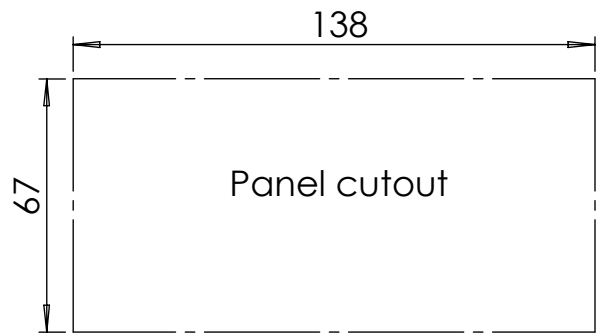
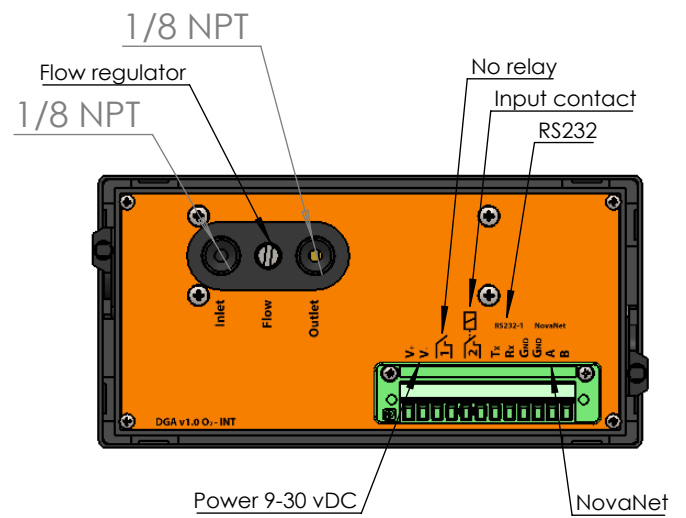
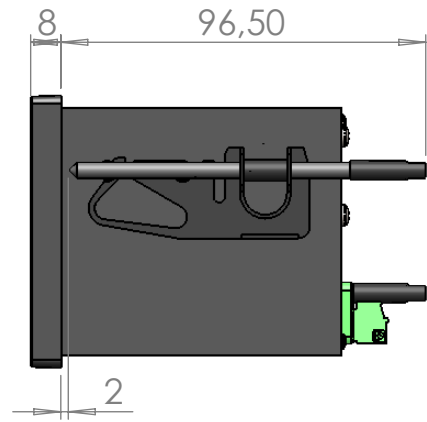
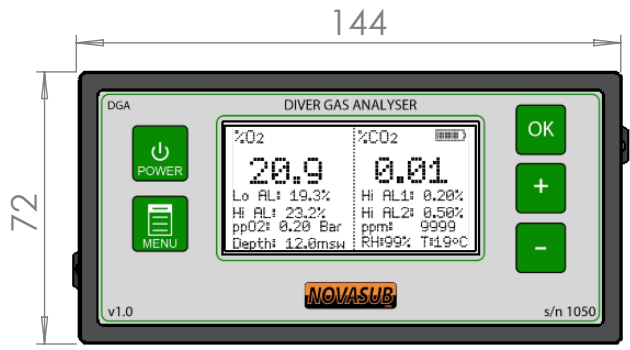
DWG NO.

NSDGA technical drawing

A4

SCALE: 1:2

SHEET 2 OF 5

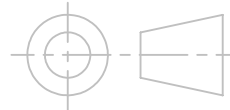
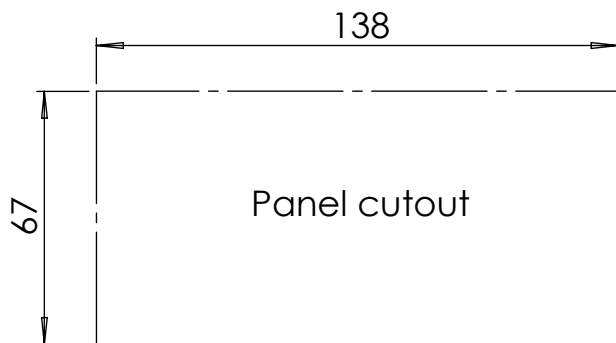
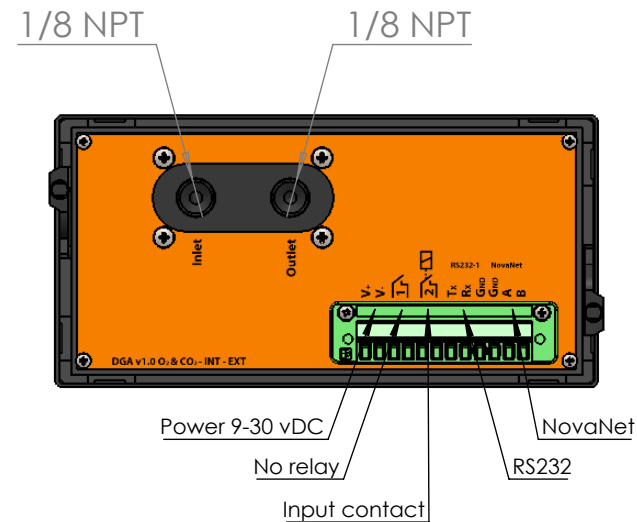
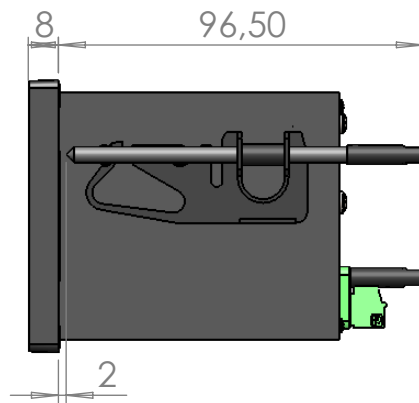
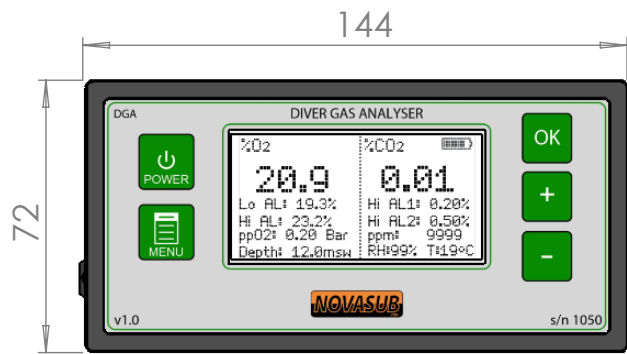


De Hoogjens 22
4254 XW, Sleenwijk
The Netherlands
+31-183-307900
info@seascope.nl

Unless otherwise specified:
DIMENSIONS ARE IN MILLIMETERS
DEBUR AND BREAK SHARP EDGES

	NAME	DATE	WEIGHT:	SPECIFICATIONS
DRAWN:	-	13-5-2016	1.45	
CHK'D:	-		MATERIAL:	
APPV'D:			TOL:	-

DO NOT SCALE DRAWING		REVISION:
File name: NSDGA technical drawing U:\Solidworks\Projecten\156 DGA Diver Gas Analyser\Drawings\		
Title: NSDGA-O₂-INT		
DWG NO. NSDGA technical drawing	A4	
SCALE: 1:2	SHEET 3 OF 5	



De Hoogjens 22
4254 XW, Sleenwijk
The Netherlands
+31-183-307900
info@seascope.nl

Unless otherwise specified:
DIMENSIONS ARE IN MILLIMETERS
DEBUR AND BREAK SHARP EDGES

	NAME	DATE	WEIGHT:	SPECIFICATIONS
DRAWN:	-	13-5-2016	1.36	
CHK'D:	-		MATERIAL:	
APPV'D:			TOL:	-

DO NOT SCALE DRAWING

REVISION:

File name:
NSDGA technical drawing
U:\Solidworks\Projecten\156 DGA Diver Gas Analyser\Drawings\

Title:

NSDGA-O₂&CO₂-INT-EXT

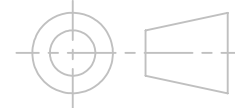
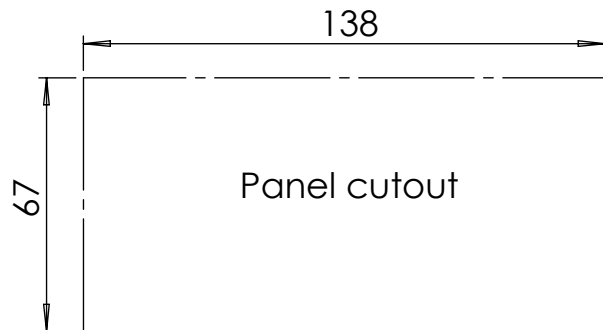
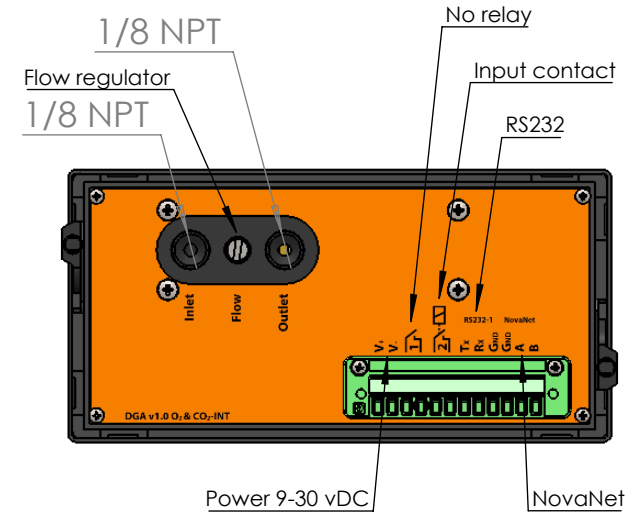
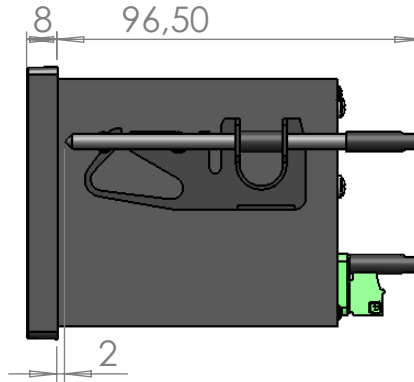
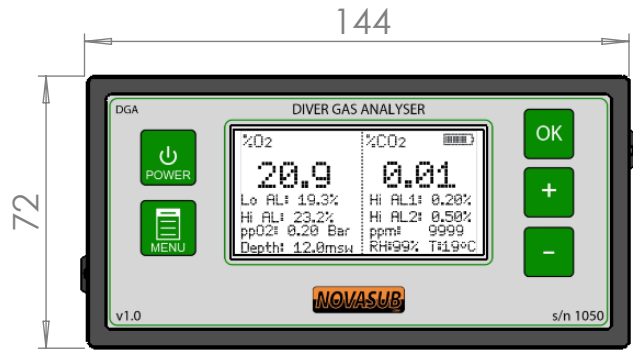
DWG NO.

NSDGA technical drawing

A4

SCALE: 1:2

SHEET 4 OF 5



De Hoogjens 22
4254 XW, Sleeuwijk
The Netherlands
+31-183-307900
info@seascope.nl

Unless otherwise specified:
DIMENSIONS ARE IN MILLIMETERS
DEBUR AND BREAK SHARP EDGES

	NAME	DATE	WEIGHT:	SPECIFICATIONS
DRAWN:	-	13-5-2016	1.46	
CHK'D:	-		MATERIAL:	
APPV'D:			TOL:	-

DO NOT SCALE DRAWING

REVISION:

File name:
NSDGA technical drawing
U:\Solidworks\Projecten\156 DGA Diver Gas Analyser\Drawings\

Title:

NSDGA-O₂&CO₂-INT

DWG NO.

NSDGA technical drawing

A4

SCALE: 1:2

SHEET 5 OF 5