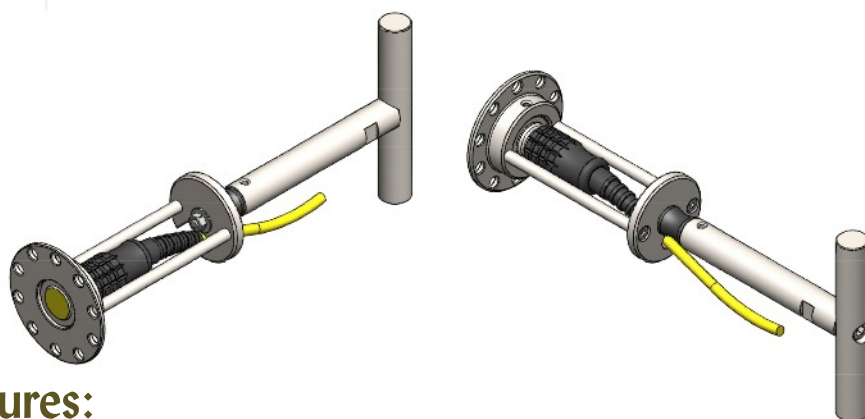
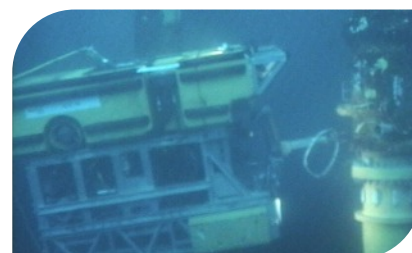


Ultrasonic Thickness Gauge

Multigaugage 4000 series Probe Holder

The Multigaugage ROV Probe Holder has been designed to accurately present the ROV probe onto the surface being measured, whether it is curved or flat. The ingenious design means there are no moving parts to get clogged with silt and seaweed and yet there is a 75° freedom of movement in all directions - there are no axial restrictions.

The probe can be mounted slightly recessed into the holder to prevent damage to the probe if a collision with the surface occurred. Measurements are unaffected by the small water gap due to the Multiple Echo technology used by all Tritex gauges, which ignores the water gap as if it were a coating.



Features:

- * Automatically aligns probe on flat and curved surface.
- * No moving parts to get jammed from silt and seaweed.
- * Universal front plate can be fitted with lugs for pipelines or flat bars for ships hulls.
- * Standard 'T-bar' and 'fishtail' compatible.
- * Allows the probe to be recessed to prevent damage to the probe face.
- * Rugged and robust.
- * Can be used with most types of ROV.

simple . accurate . robust

Contact

UK Office:

Tritex NDT Ltd
Unit 10, Mellstock Business Park,
Higher Bockhampton, Dorchester,
Dorset, United Kingdom, DT2 8QJ
t: +44 (0) 1305 257160
f: +44 (0) 1305 259573
e: sales@tritexndt.com
w: www.tritexndt.com

USA Office:

Tritex NDT LLC
1533 Stuyvesant Avenue,
Union, New Jersey,
07083, United States
t: +1 908 688 6706
f: +1 908 688 9040
e: sales.us@tritexndt.com
w: www.tritexndt.com

De Hoogjens 22
4254 XWSleeuwijk
The Netherlands
T.+31-183-307900 F.+31-183-307910
E. Info@seascope.nl www.seascope.nl



www.tritexndt.com