

General use description:

The LUX6M housing is built out of one piece stainless 316 steel and the front glass is made of Lexan (Poly Carbonate).

The LUX6MD housing is built out of one piece duplex stainless steel and the front glass is made of Sapphire glass. This make it extremely suitable for use in Deepsea environment (max 5000 m).

The LED light has one o-ring for sealing on the front glass and a clip ring for locking the front glass. The connector has one o-ring for sealing. The built in controls protect the LED against polarity switching, over voltage and over temperature. The LUX6M(D) is dimmed automatic when temperature rises. This is to protect the LED when the LUX6M(D) is left on out of the water.

Installation:

The light housing can be fixed to any structure or bracket using clamping bracket around back part.

DO NOT: Do not clamp around the bigger part of the housing, this needed for cooling

Electrical connection:

The power contacts are polarity protected. Use nominal voltages as indicated in the specifications. For pin layout see the below specifications table.

Control of the light:

There are 3 ways of dimming the light.

- Direct control, 0-26 VDC control from source, or 0-2,1 amperes control from source
- 0-5 volt control, using the GND (pin1) as common and apply 0-5 volt on Pin3 for 0-100% light intensity control
- Rs485 control, using a rs485 connection at 9,6 or 115 Kbps and our NovaBus control protocol. See NovaBus protocol datasheet.

Maintenance:

The (duplex) stainless steel housing can be cleaned with water and soap and if needed polished with stainless steel polishing materials. The Lexan and Sapphire front glass can be cleaned with water and soap and only using a cotton cloth or any other non-scratching material. Small scratches on the front glass will not affect the view underwater. The front glass is locked in the housing with a clip ring in a groove. The clip ring is partially visible at the front of the housing. Make sure that the clip ring are correct in its place. If not, do not use the camera before the clip ring is well seated or replaced by the factory.

Lubricate the connector pins regular with Silicon grease.

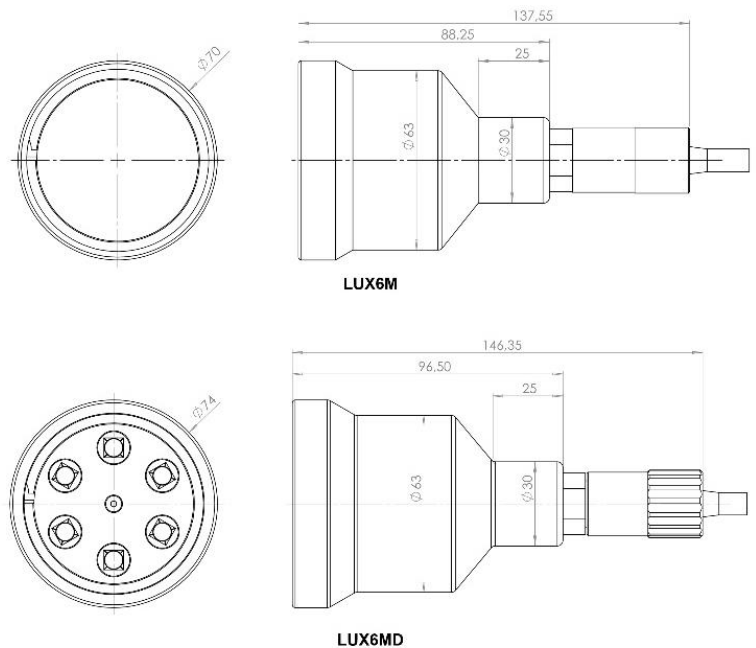
DO NOT: do not clean the front glass with paper or other scratching materials.

DO NOT: do not clean the front glass of Lexan with any liquid containing dissolvent.

Warranty:

The LUX6M(D) light has a 2 year warranty on manufacturing defaults.

Warranty is lost when the light housing has been opened by the user or used in conditions otherwise then indicated in the specifications.



Specifications:

Model	LUX6MSS1.0A	LUX6MSS1.0B	LUX6MSS1.0C	LUX6MSS1.0C1	LUX6MSS1.0D
Lumen @ 6500 K	6000				
Beam angle	120°				
Color Temp.	6500K				
LED's	6 x 8 w				
Operational depth	600 m				
Material	Stainless steel 316				
Connector	FAWL-BH4M	MCBH2M	MCBH5M	FAWL-BH4M	MCBH5M
Function Pin1	GND	GND	GND	GND	GND
Function Pin2	Vcc	Vcc	Vcc	Vcc	Vcc
Function Pin3	0-5 volt		rs485+ (A)	rs485+ (A)	rs485+ (A)
Function Pin4	nc		rs485- (B)	rs485- (B)	rs485- (B)
Control	0-5 volt	Direct 0-26 vdc or @ 26vdc 0-2,1 Ampere	rs485, 9600 bps, NovaBus control	rs485, 9600 bps, NovaBus control	rs485, 115k bps, NovaBus control
Protection	Auto. Temp. Control, Polarity protection				
Power	26-48 vdc (55 watt)				
Dimensions	90 mm x ø 70 – ø 33 mm				
Weight	800 gr. (air), 700 gr. (water)				
Mounting	Clamp ø 30 mm				
Options	Anodized Aluminum, other connector, 2000 - 4000 m depth rating				

Model	LUX6MDSS1.0A	LUX6MDSS1.0B	LUX6MDSS1.0C	LUX6MDSS1.0C1	LUX6MDSS1.0D	LUX6MDSS1.0D1
Lumen @ 6500 K	6000					
Beam angle	120°					
Color Temp.	6500K					
LED's	6 x 8 w					
Operational depth	5000 m					
Material	Duplex stainless steel					
Connector	FAWL-BH4M	MCBH2M	MCBH5M	FAWL-BH4M	MCBH5M	MCBH4M
Function Pin1	GND	GND	GND	GND	GND	GND
Function Pin2	Vcc	Vcc	Vcc	Vcc	Vcc	Vcc
Function Pin3	0-5 volt		rs485+ (A)	rs485+ (A)	rs485+ (A)	rs485+ (A)
Function Pin4	nc		rs485- (B)	rs485- (B)	rs485- (B)	rs485- (B)
Control	0-5 volt	Direct 0-26 vdc or @ 26vdc 0-2,1 Ampere	rs485, 9600 bps, NovaBus control	rs485, 9600 bps, NovaBus control	rs485, 115k bps, NovaBus control	rs485, 115k bps, NovaBus control
Frontglass	Sapphire					
Protection	Auto. Temp. Control, Polarity protection					
Power	26-48 vdc (55 watt)					
Dimensions	96,5 x ø 74-ø30 mm					
Weight	1020 gr. (air), 800 gr.(water)					
Mounting	Clamp ø 30 mm					
Options	Anodised Aluminum, Titanium, other connector.					

Optional bracket: SSBLUX6M is a clamp for welding or bolting on to any structure.