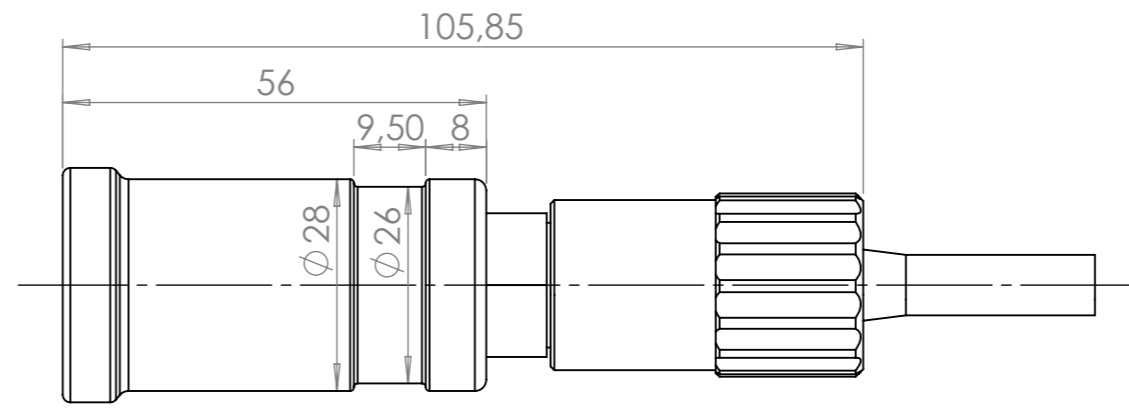
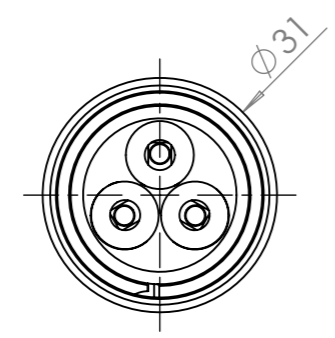
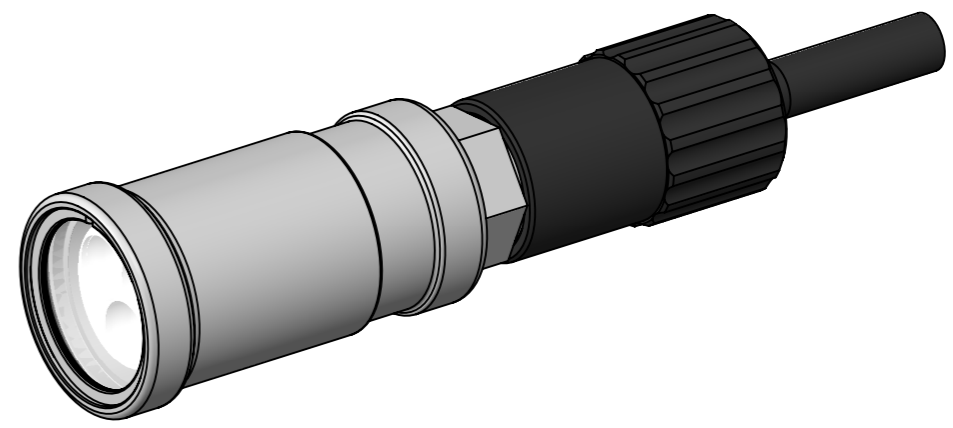

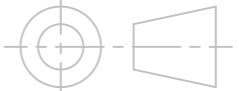


1 2 3 4 5 6 7 8

A
B
C
D
E
F



				DO NOT SCALE DRAWING		REVISION:	
De Hoogjens 22 4254 XW, Sleenwijk The Netherlands +31-183-307900 info@seascape.nl				Unless otherwise specified: DIMENSIONS ARE IN MILLIMETERS DEBUR AND BREAK SHARP EDGES		File name: LUX3R - Technical drawing U:\Solidworks\Novasub\24 U-lights\N24A06 - LUX3R\Drawings\	
						Title: N24A06R1 - LUX3R type 5	
DRAWN: A. den Besten		DATE: 14-9-2017		WEIGHT:		DWG NO.	
CHK'D: A. den Besten		DATE: 14-9-2017		MATERIAL:		LUX3R - Technical drawing	
APPVD:				TOL: DIN ISO 2768-1 Medium		A3	
SCALE: 1:1						SHEET 1 OF 1	

1 2 3 4 5