

ImpactSubsea

Innovative Underwater Products

ISA500-L – Altitude/Range Measurement



Impact Subsea is proud to present the ground breaking **ISA500-L**. A highly robust underwater **Altitude/Range** measurement sensor.

Based on the **ISA500** platform the **ISA500-L** utilises a broadband composite transducer together with an advanced digital acoustic engine to provide the highest level of stability and range available from a 500kHz Altimeter.

For applications where purely underwater Altitude/Range measurement is required the **ISA500-L** is the unit of choice.

120 meter range capability, weighing only 0.325kg in fresh water, and using only 51mA of current at 24VDC; makes the **ISA500-L** a highly compact and efficient long range Altimeter.

The **ISA500-L** is provided in a robust titanium housing. Alternative OEM configurations are available upon request.

Features

120 Meter Range

1mm Acoustic Accuracy

Weight of 0.325kg in fresh water

Power Consumption of 0.51mA @ 24VDC

Multi-Echo Output

Benefits

Long range Altitude Measurement

Millimetre Altitude measurement accuracy

Idea for applications where weight is critical

Exceptionally low power consumption

Optional Output: View all returned acoustic echos – ideal for ice thickness measurement

Applications

ROV & AUV Altitude

Scour Monitoring

Hydro-graphic Survey

Touchdown Monitoring

Wave Height Measurement

Under Ice Measurement

Equipment Deployment



De Hoogjens 22
4254 XW
Sleeuwijk
The Netherlands

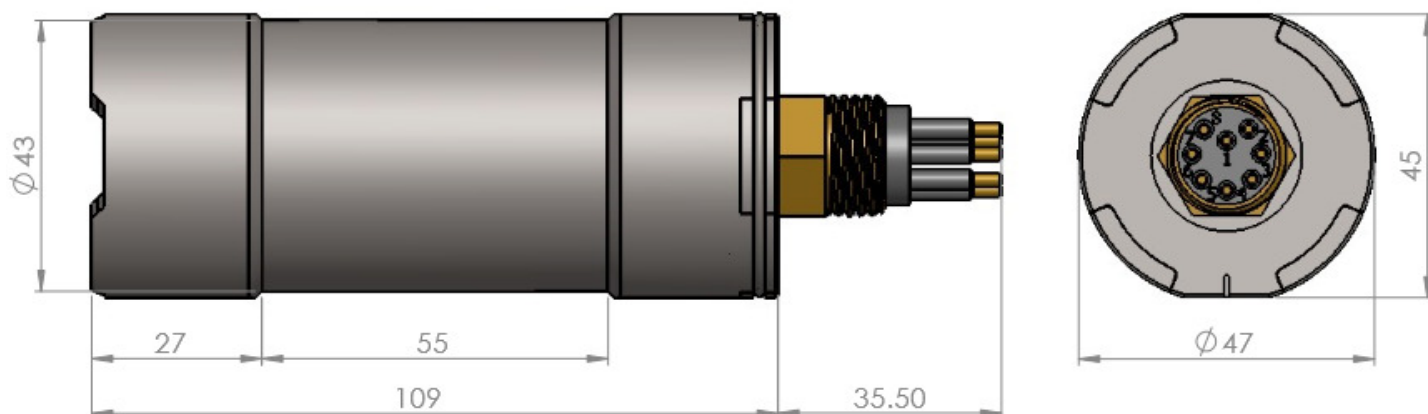
Tel: +31-183-307900
Fax: +31-183-307910
Email: info@seascope.nl
www.seascope.nl

www.impactsubsea.com

ImpactSubsea

Innovative Underwater Products

ISA500-L – Altitude/Range Measurement



Shown above is the standard configuration of the **ISA500-L**. Other housing and connector options are available. All dimensions are in mm.

Acoustic

<i>Frequency</i>	500kHz Standard 400 to 600kHz Selectable
<i>Range</i>	0.1 to 120m (Maximum range dependant on seabed type)
<i>Resolution</i>	1mm
<i>Beam Angle</i>	6° conical at 500kHz
<i>Signalling</i>	Monotonic
<i>Pulse Length</i>	Auto/User Defined

Physical

<i>Weight</i>	0.325kg in fresh water 0.5kg in air
<i>Depth Rating</i>	4,000m
<i>Temperature</i>	-10 to 40° operating -20 to 50° storage
<i>Connector</i>	Subconn MCBH8M-SS other options available

Communications & Power

<i>Digital</i>	RS232 & RS485
<i>Protocol</i>	4,800 to 115,200 baud
<i>Analogue</i>	0 to 5V DC, 0 to 10V DC or 4-20mA
<i>Data</i>	Continuous or on demand
<i>Data Rate</i>	Up to 10Hz
<i>Input Voltage</i>	9 to 36V DC
<i>Power (No Altitude)</i>	25mA @ 24V DC
<i>Power (With Altitude)*</i>	51mA @ 24V DC



De Hoogjens 22
4254 XWSleeuwijk
The Netherlands
T. +31-183-307900 F. +31-183-307910
E. Info@seascope.nl www.seascope.nl

sales@impactsubsea.co.uk

+44 (0) 1224 460 850

www.impactsubsea.com