

ImpactSubsea



De Hoogjens 22
4254 XW
Sleeuwijk
The Netherlands

Tel: +31-183-307900
Fax: +31-183-307910
Email: info@seascope.nl
www.seascope.nl

Innovative Underwater Products

ISFMD – Flooded Member Detection System



ISA500 Probe

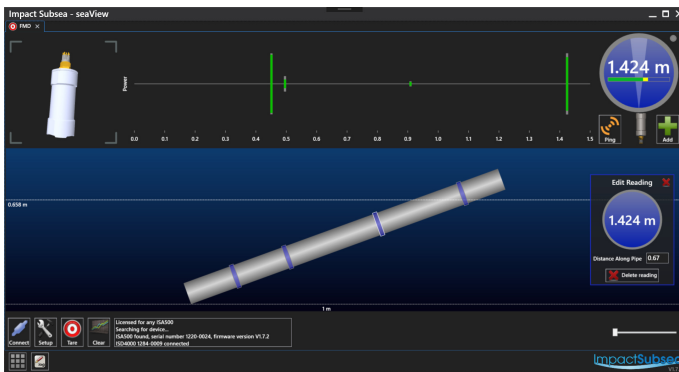
Impact Subsea is proud to present the ground breaking **ISFMD Flooded Member Detection** system.

Suitable for Diver or ROV use, the **ISFMD** provides the most advanced and reliable Flooded Member Detection system available today.

Utilising a broadband composite transducer probe together with an advanced digital acoustic engine; provides the highest level of accuracy and reliability in readings.

An optional depth sensor can be added to the system, to automatically record depth of each check point.

All readings are shown visually in the seaView software package. A final report of all readings taken is automatically generated – ensuring all data is accurately recorded.



SeaView FMD App

Features

seaView Software

Titanium Probe

Integrated AHRS

Multi-Echo Output

Depth

Benefits

Visualise all readings & generate a survey report

Highly robust and long lasting sensor probe

Understand exact orientation of probe at time of contact reading

Visualise return if flooded member is detected

Using the ISD4000, log the depth & temperature at point of reading

System Components:

ISA500 Probe

seaView FMD App

ISD4000 Depth Sensor*

100 or 200m Cable*

Topside Power Supply*

Probe Holder *

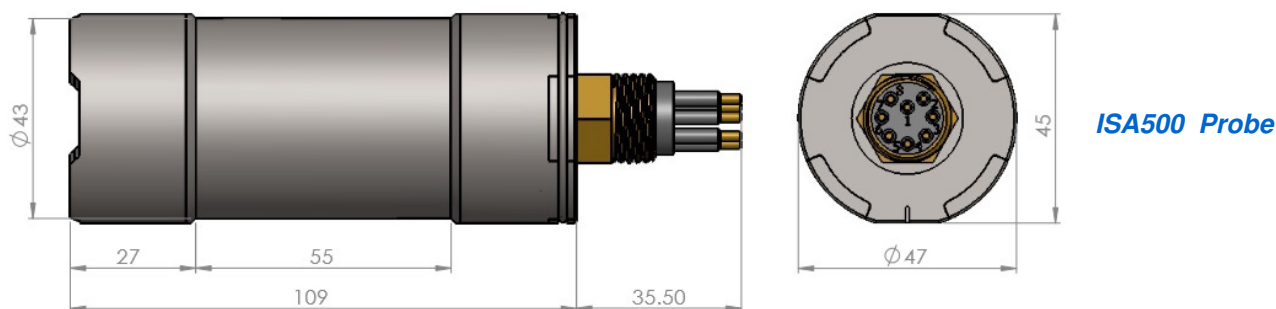
* Optional

www.impactsubsea.com

ImpactSubsea

Innovative Underwater Products

ISFMD – Flooded Member Detection System



ISA500 Probe

Acoustic	
Frequency	500kHz Standard 400 to 600kHz Selectable
Range	0.1 to 120m (Maximum range dependant on member type)
Resolution	1mm
Beam Angle	6° conical at 500kHz
Signalling	Monotonic
Pulse Length	Auto/User Defined
Communications & Power	
Digital	RS232 & RS485
Protocol	300 to 115,200 baud
Analogue	0 to 5V DC, 0 to 10V DC or 4-20mA
Data	Continuous or on demand
Data Rate	Up to 10Hz
Input Voltage	9 to 36V DC
Power (No Altitude)	25mA @ 24V DC
Power (With Altitude)*	51mA @ 24V DC

Heading	
Accuracy	± 1°
Resolution	0.1°
Attitude	
Pitch	± 90°
Roll	± 180°
Accuracy	0.2°
Resolution	0.1°
Physical	
Weight (Air / Fresh Water)	0.5/0.325kg (Titanium)
Depth Rating	4,000m (Titanium)
Temperature	-10 to 40° operating -20 to 50° storage
Connector	Subconn MCBH8M-SS other options available

Specifications subject to change in line with product enhancements. Rev 0.1

sales@impactsubsea.co.uk
+44(0)1224 460 850
www.impactsubsea.com



De Hoogjens 22
4254 XW
Sleeuwijk
The Netherlands

Tel: +31-183-307900
Fax: +31-183-307910
Email: info@seascape.nl
www.seascape.nl