

5MP



**The first 5 Megapixel color zoom camera that works on any cable up to a length of 600 m.**

**You only need 2 wires for power & data.**

Standard the NSHDZ is supplied with a 3-11 mm lens zoom wide angle lens with a max. 90° deg. openings angle underwater which is ideal to come close to the object in poor visibility water. The camera is built of duplex stainless steel housing with a sapphire front glass. The camera is standard fitted with a 4 pins MCBH4MSS-RA connector. The video signal output is standard IP video signal with HD 1080/720p resolution after conversion with topside unit. Also the NSHDZ has an optional audio in/out connections. The camera setting and controls are fully accessible over the IP connections. The camera is ONVIF compatible.

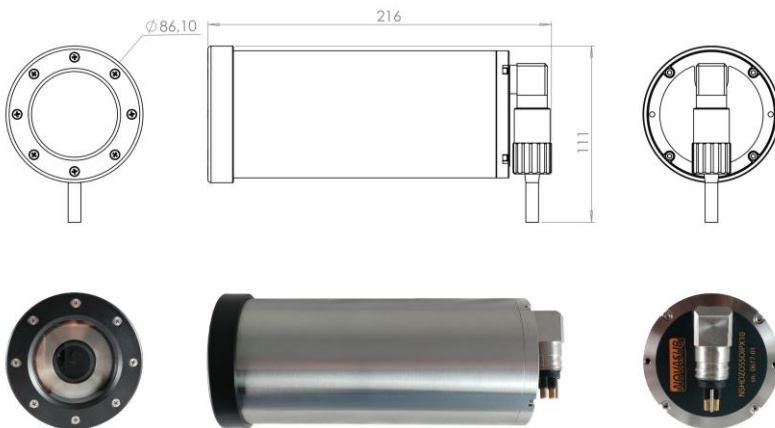
The IP connection works with any standard 2 core, twisted pair or coaxial cable up to length of 600 m, using the Novasub SCC/SCU/SCB HD control units with Pontus video recording software or third party Onvif compatible software. Four cameras can be connected in a Star chain or Daisy chain combination on one 2 core wire using the SCxHDIPX or PCB-HDIPX units topside or integrated in and ROV/3<sup>rd</sup> Party system. With this advantage, there is no more limitation on wire cable and also greatly decrease costs of cabling. The 2 wires are used for powering the cameras and transmission of the IP data.

## Features

- **5-Megapixel video resolution**
- **Works over 2-wire cable or coax cable up to 600 m.**
- **Power & Data over 2 wires**
- **IP camera, Onvif compliant**
- **4 cameras on one cable**
- **Operating depth: 5000 m**

## Applications

- **Drop down systems**
- **ROV systems**
- **CCTV systems**



## Specifications

Image sensor	: 1/2.5" progressive scan CMOS sensor.
Video Output	: IP H.264/MJPEG
Resolutions	: Main Streaming: 2592x1920, 2048x1536, 1920x1080, 1280x720 Sub streaming: 640x360, 352x240, 320x240
Frame rate	: 10fps@5MP; 20fps@3MP; 30fps@2MP; Frame rate Adjustable
Compression	: 0.1M–12M bits/sec (CBR/VBR/LBR); H.264 HP/MP/BL, M-JPEG.
Lens	: Motorized zoom Lens, f=3-10.5mm/ F1.4, Auto & Manual focus
Underwater Fields of View (FOV)	: FOV = 75°, HFOV=63° VFOV=47°, at 1 m distance HFOV=1.22 m (@2048x1536)
Control	: With built in web browser interface: Brightness, Contrast, Saturation, Sharpness, Exposure, Motion detection, Mirror, Shutter, Privacy mask, Flicker less, Noise reduction, IRIS, AES, AWB, AGC, BLC, WDR, ROI, Audio gain, Alarm in/out. Video recording by scheduling Network failed, Interval Snapshot schedule recording on Micro SD card (optional)
Min illumination	: 0.3 Lux /F1.4; B/W: 0.2 Lux.
Protocol	: HTTP, HTTPS, TCP/ IP, IPv4, IPv6, PPPoE, UDP, SMTP, FTP, QoS, DHCP, DDNS, NTP, DNS, SNMP, RTSP, RTP/RTCP, Bonjour, CSMA/CA, UPnP, IGMP, 802.1X
Onvif compatible	: yes
Power Supply	: 48 vdc, 3 watt (42-54 vdc)
Dimension / Weight	: ø86 x 189 mm (216 mm incl. connector), 3,24 kg dry; 2,59 kg (fresh) & 2,57 kg (salt) water
Material	: Duplex stainless steel housing, Sapphire front glass
Connector	: Right angled, MCBH4MSS-RA, optional connectors on request
Operating Depth	: 5000 m
Transmission	: 2 wire, Coax, twisted pair or 2 cores, min. 0,25 mm <sup>2</sup> , max. cable length 600 m
Signal converter	: Requires Novasub video signal converter to standard IP (LAN) (SCx-HDipX)

## Fields of view underwater

Pixels	Max. FPS	Lens settings	Underwater Fields of view			Out of water
			FOV	HFOV	VFOV	HFOV
2592x1920	10	Wide (3 mm)	91°	77°	57°	103°
		Tele (11 mm)	40°	38°	20°	43°
2048x1536	20	Wide (3 mm)	75°	63°	47°	75°
		Tele (11 mm)	32°	29°	20°	40°
1920x1080	25	Wide (3 mm)	67°	59°	38°	78°
		Tele (11 mm)	30°	28°	20°	37°
1280x720	25	Wide (3 mm)	91°	78°	45°	103°
		Tele (11 mm)	40°	38°	20°	43°

### Related Products:

- SCB/SCC/SCU-HDipX
- SCC/SCU-HDipX-DVR
- LUX lights

### Distributed by: